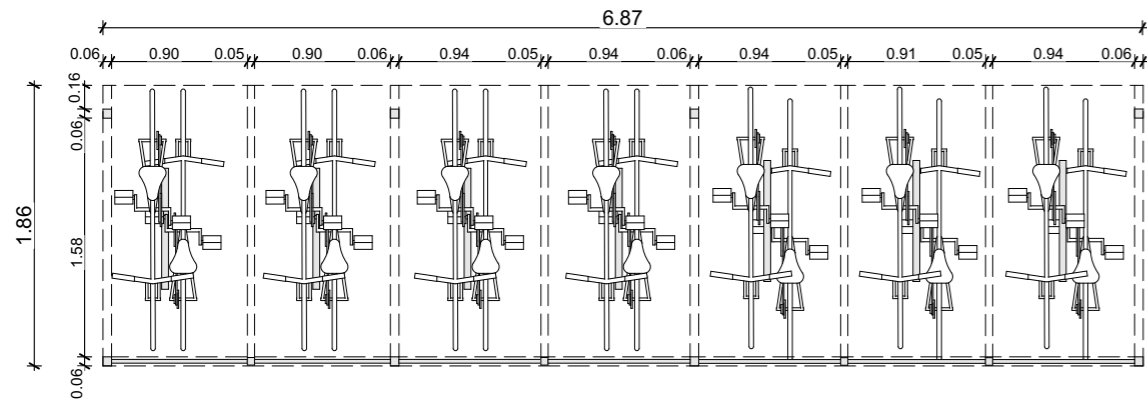
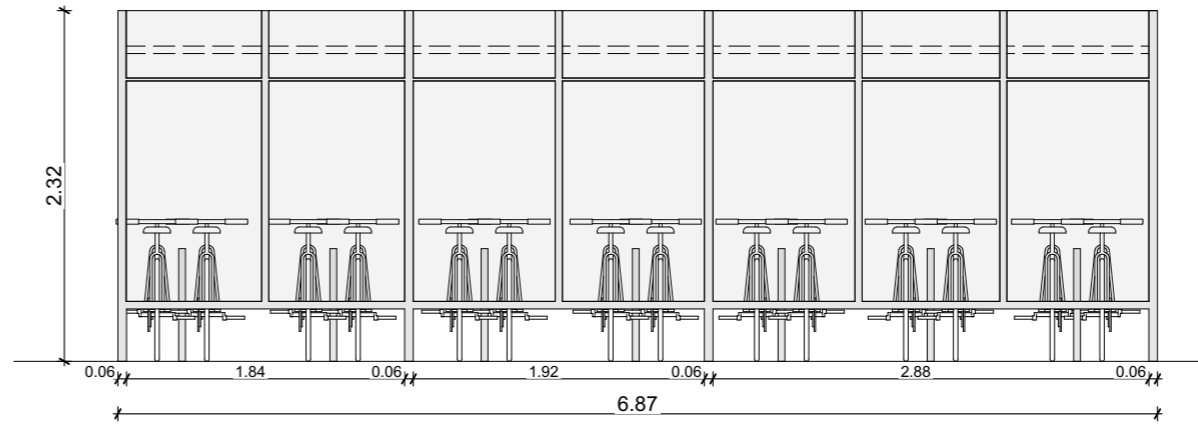


BICYCLE STORAGE TYPE A (14 Spaces per covered unit)



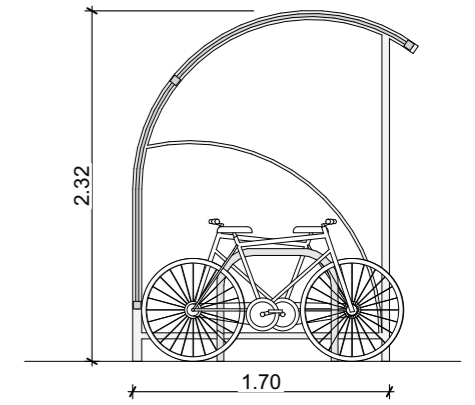
1:50

Plan



1:50

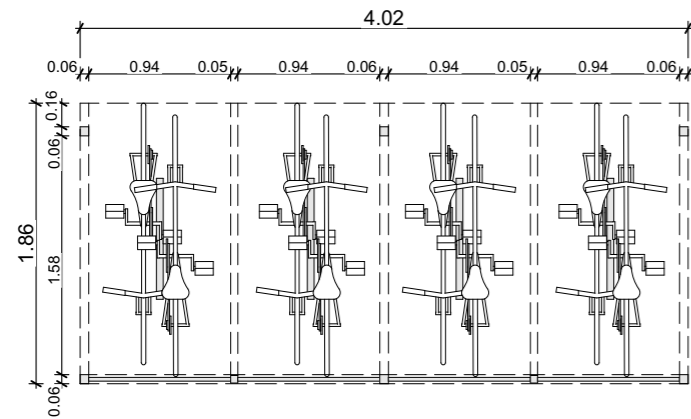
Elevation



1:50

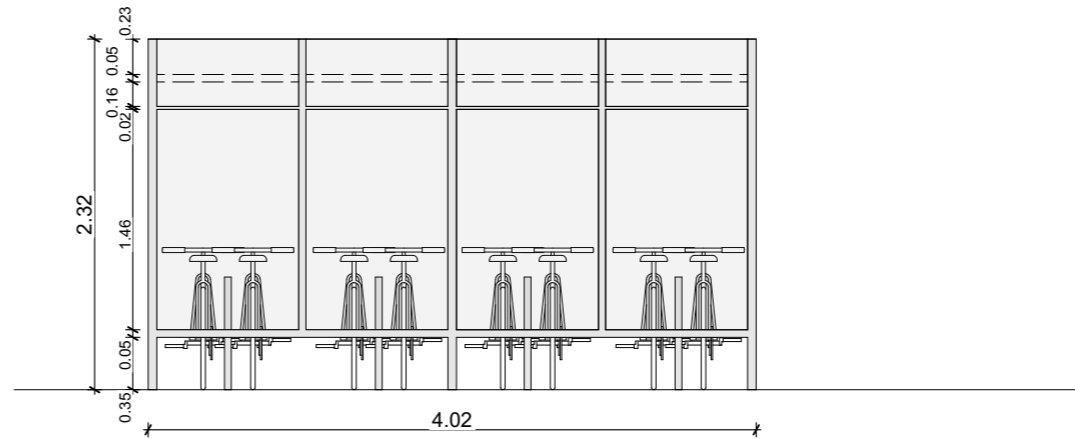
Section

BICYCLE STORAGE TYPE B (8 Spaces per covered unit)



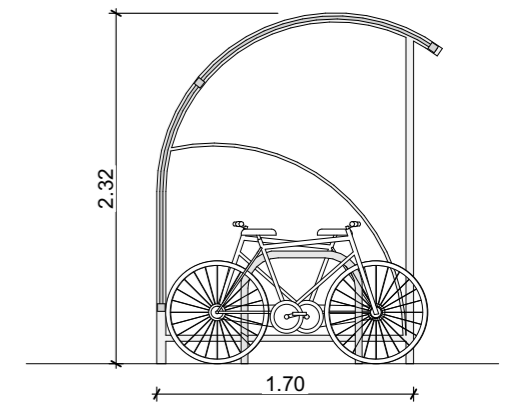
1:50

Plan



1:50

Elevation



1:50

Section

Bicycle Storage Type A & Type B.
Typically within curtilage of F Types.
Selected metal frame and translucent roof covering.

FOR ORIENTATION AND HANDING
PLEASE REFER TO SITE PLAN



DAVEY SMITH
ARCHITECTS

Layout ID: **D2101 - BIC01**
Project: **Ashbourne SHD**
Drawing Name: **Bicycle Storage Type A, B**

13 THE SEAPPOINT BUILDING, 44-45 CLONTARF ROAD, DUBLIN 3
PH: 01 2447638 | EMAIL: info@davey-smith.com | WEB: www.davey-smith.com

Scale: 1:50
Job No: D2101
Series: Planning
Date: 9/1/2022
Status: Planning