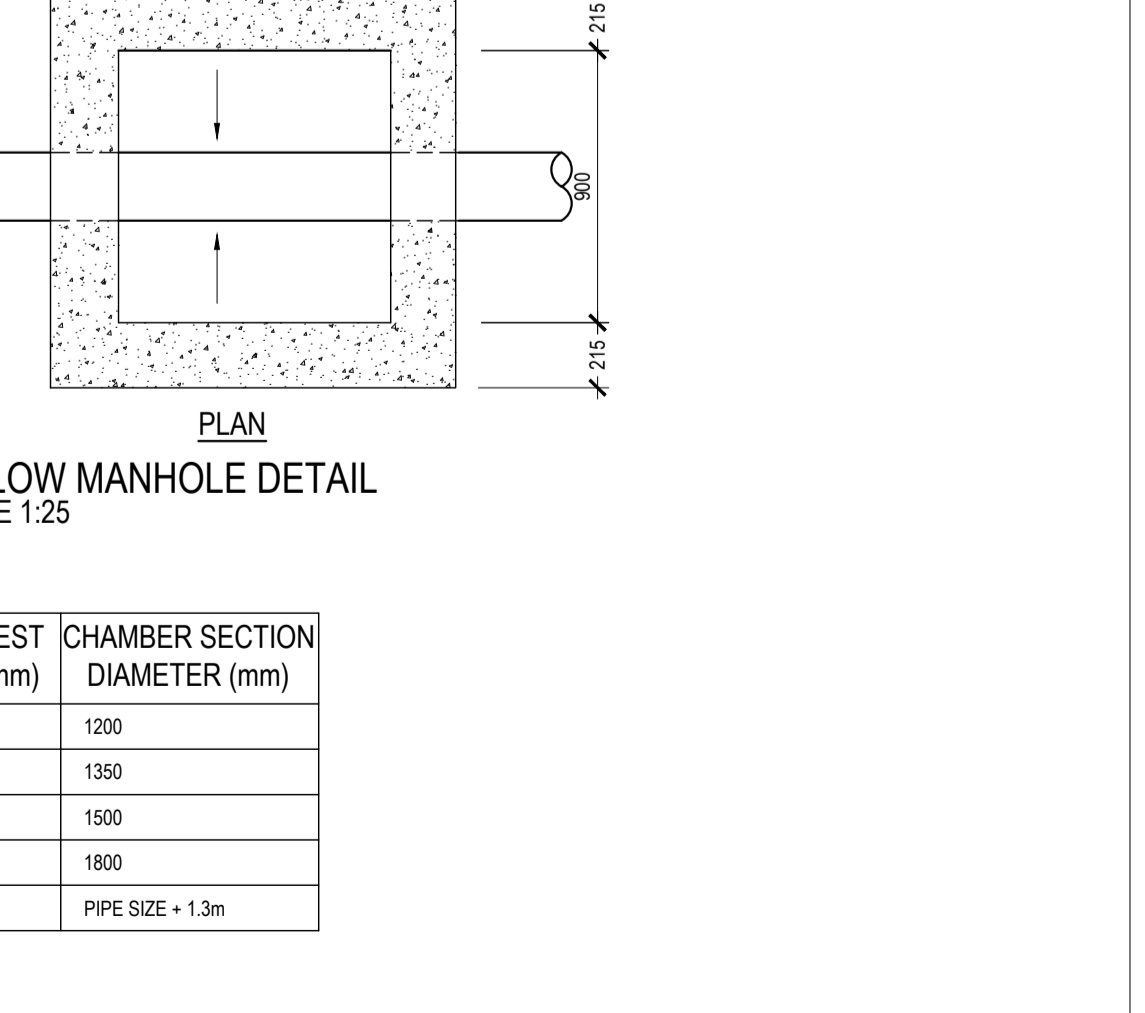
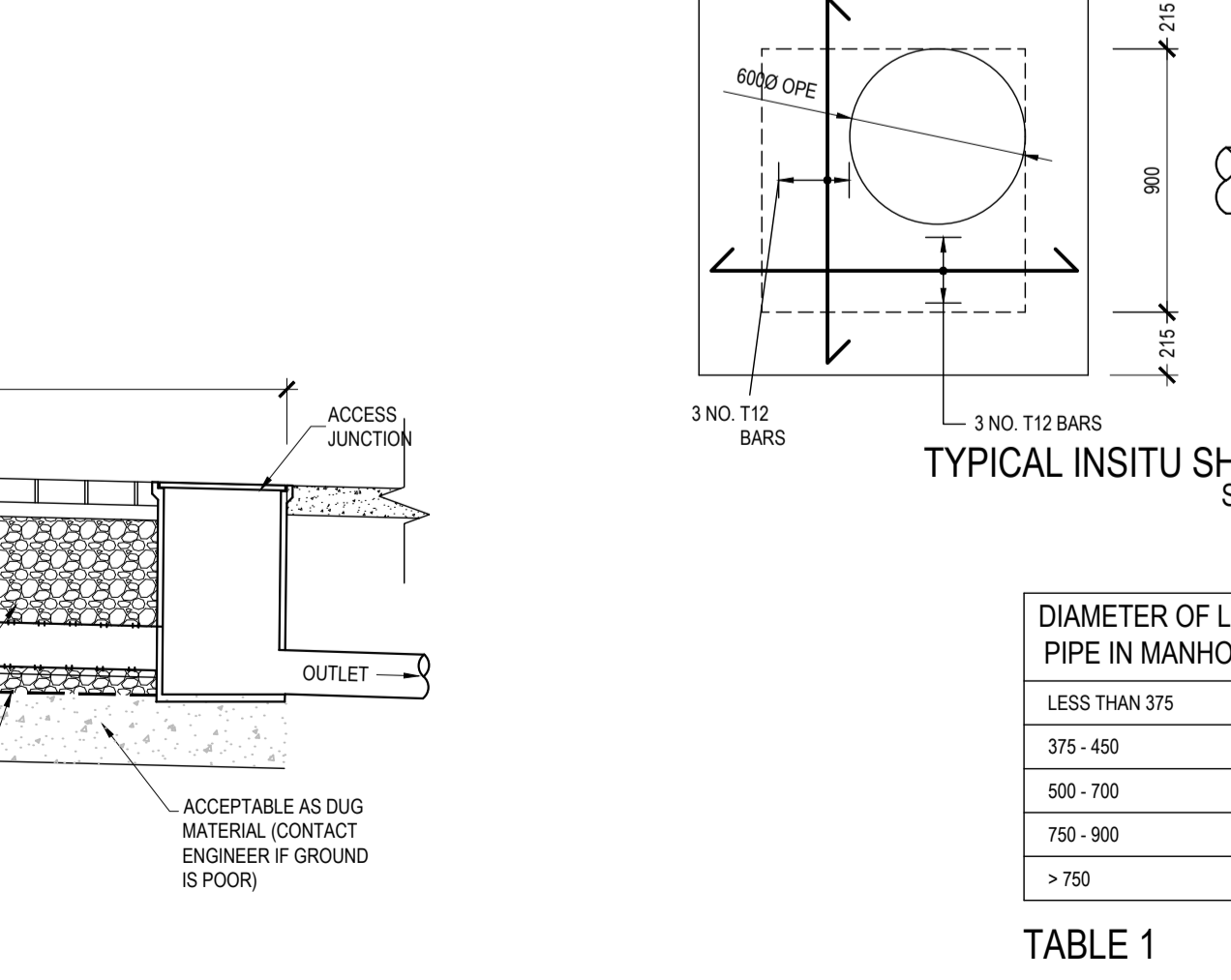
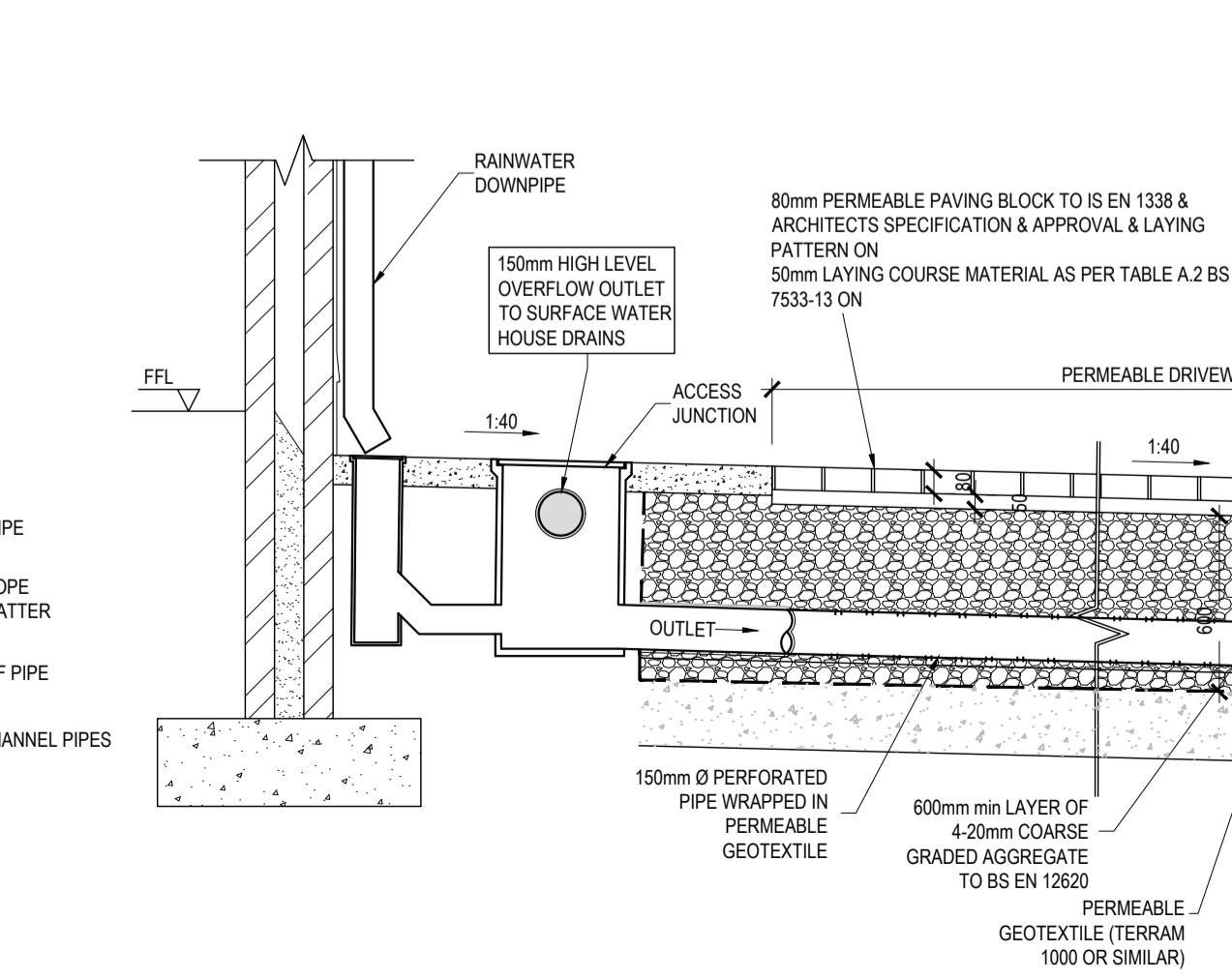
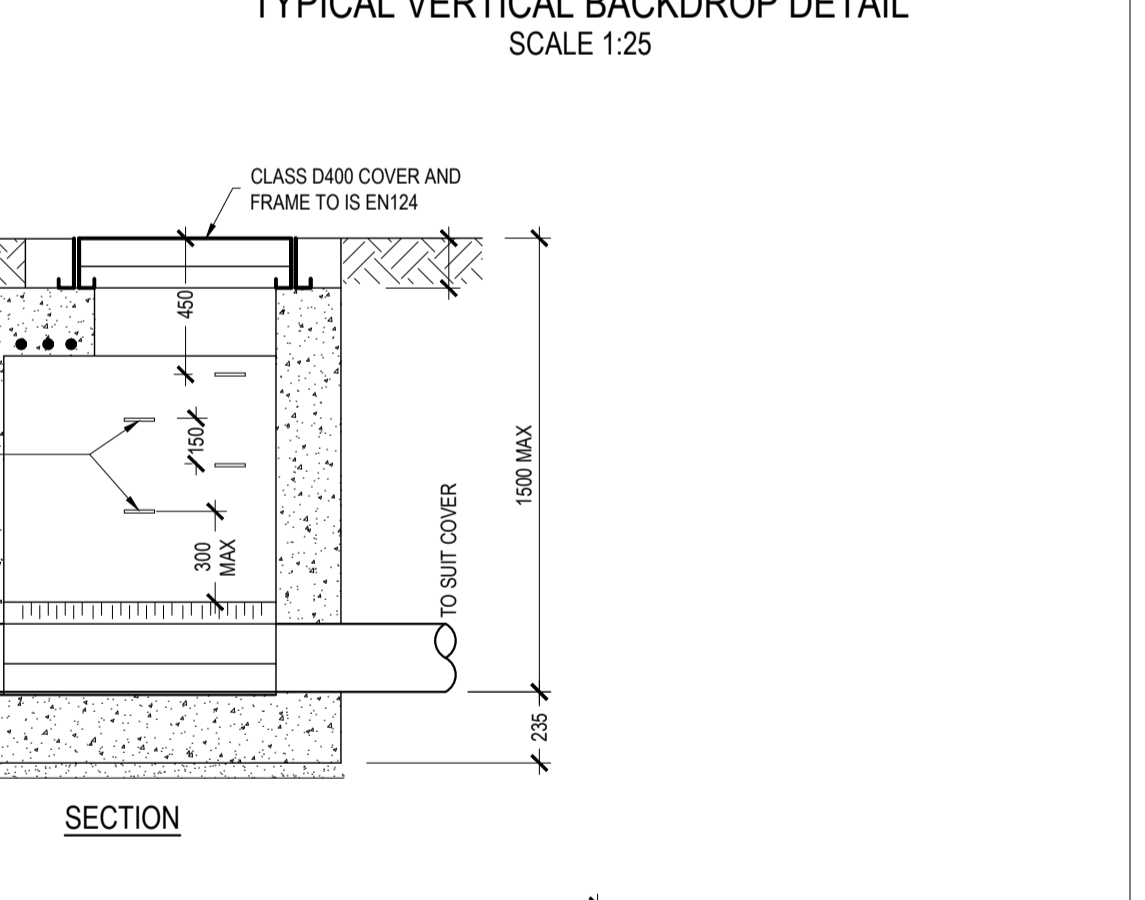
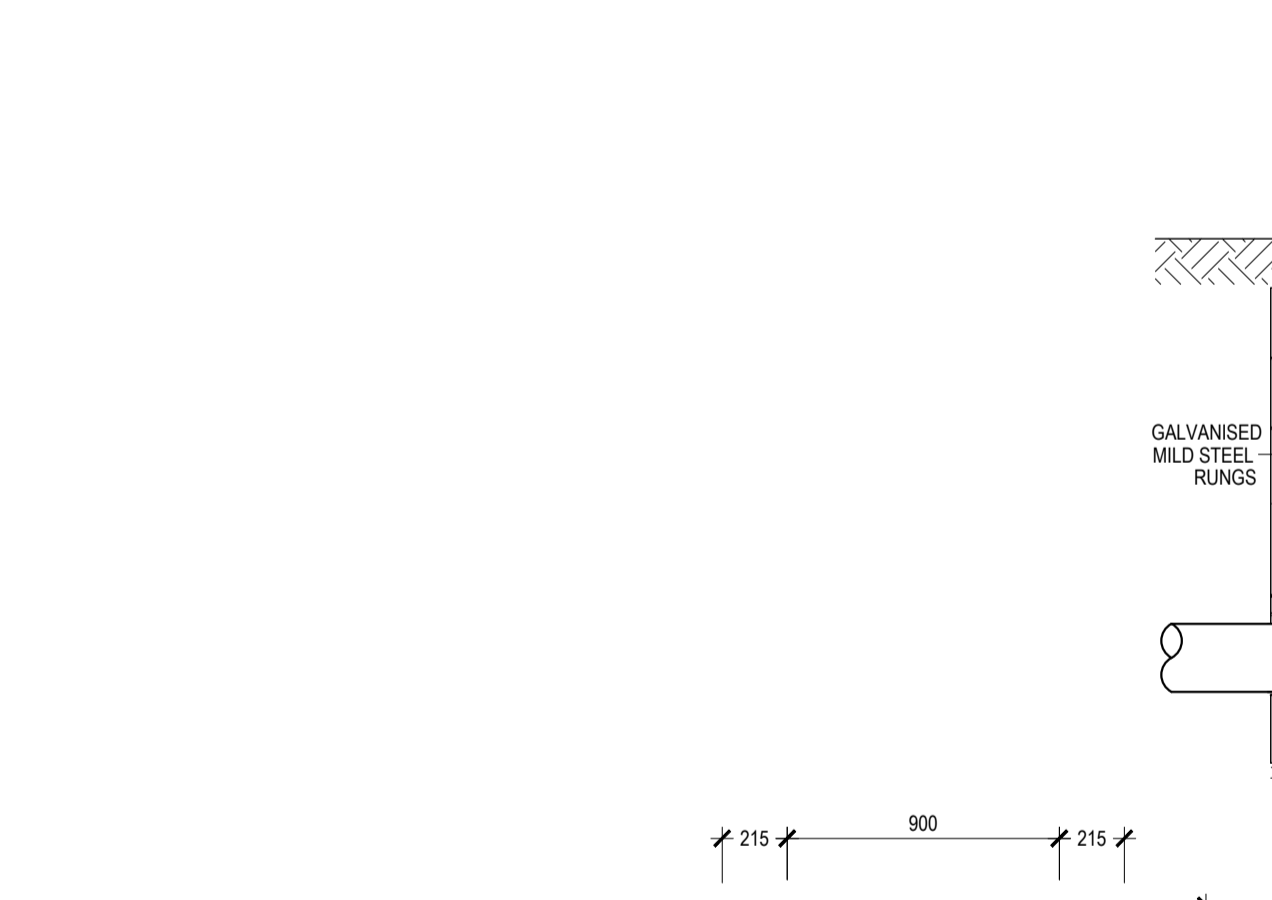
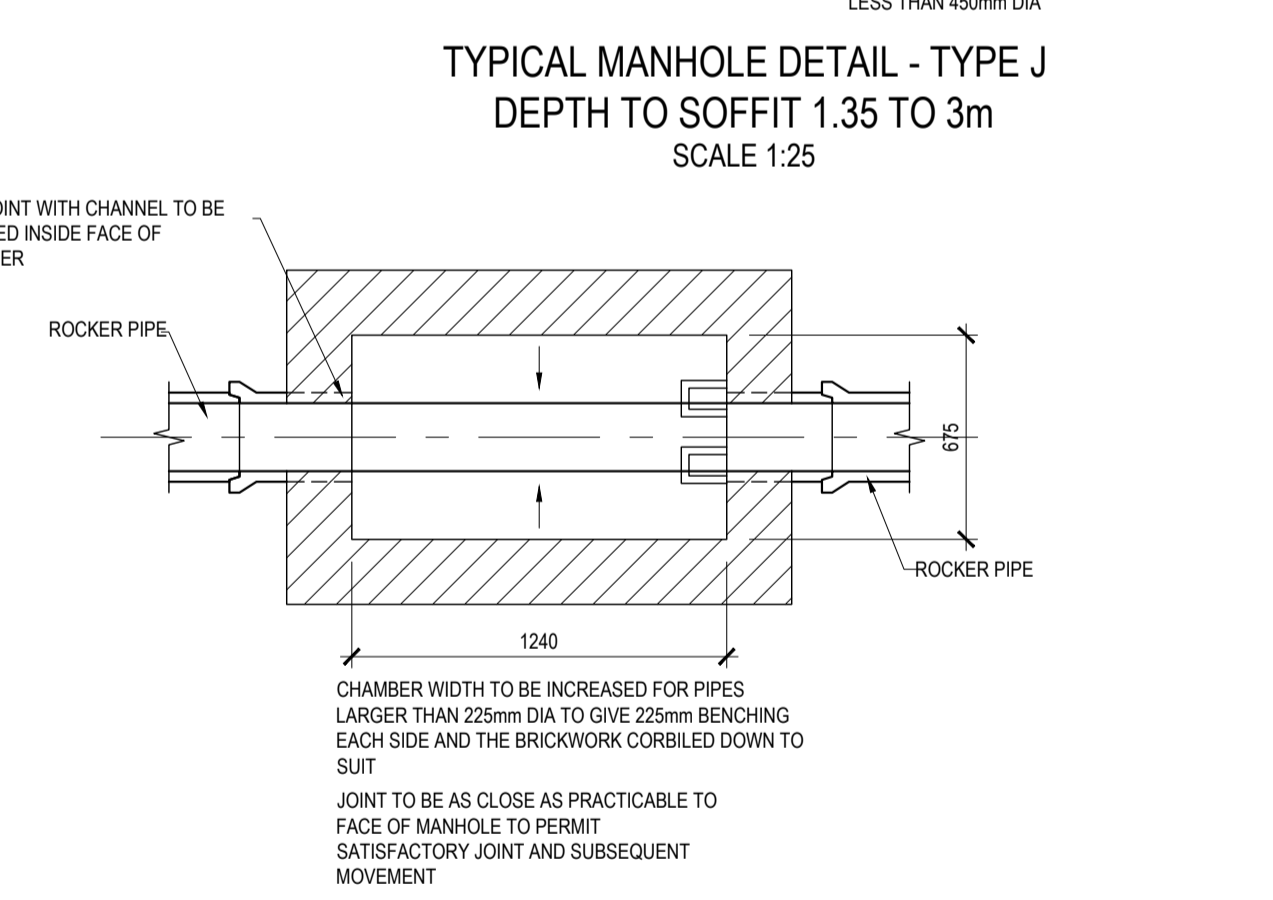
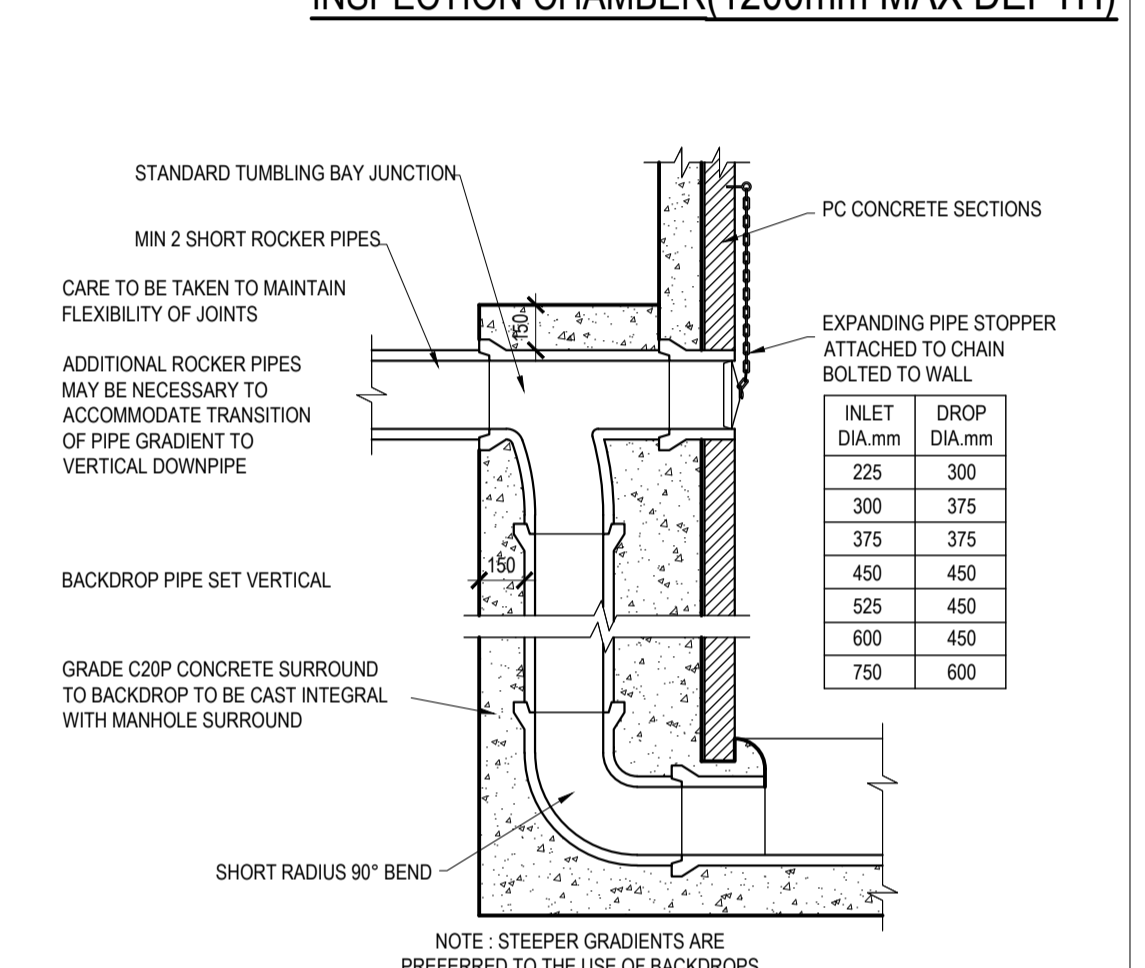
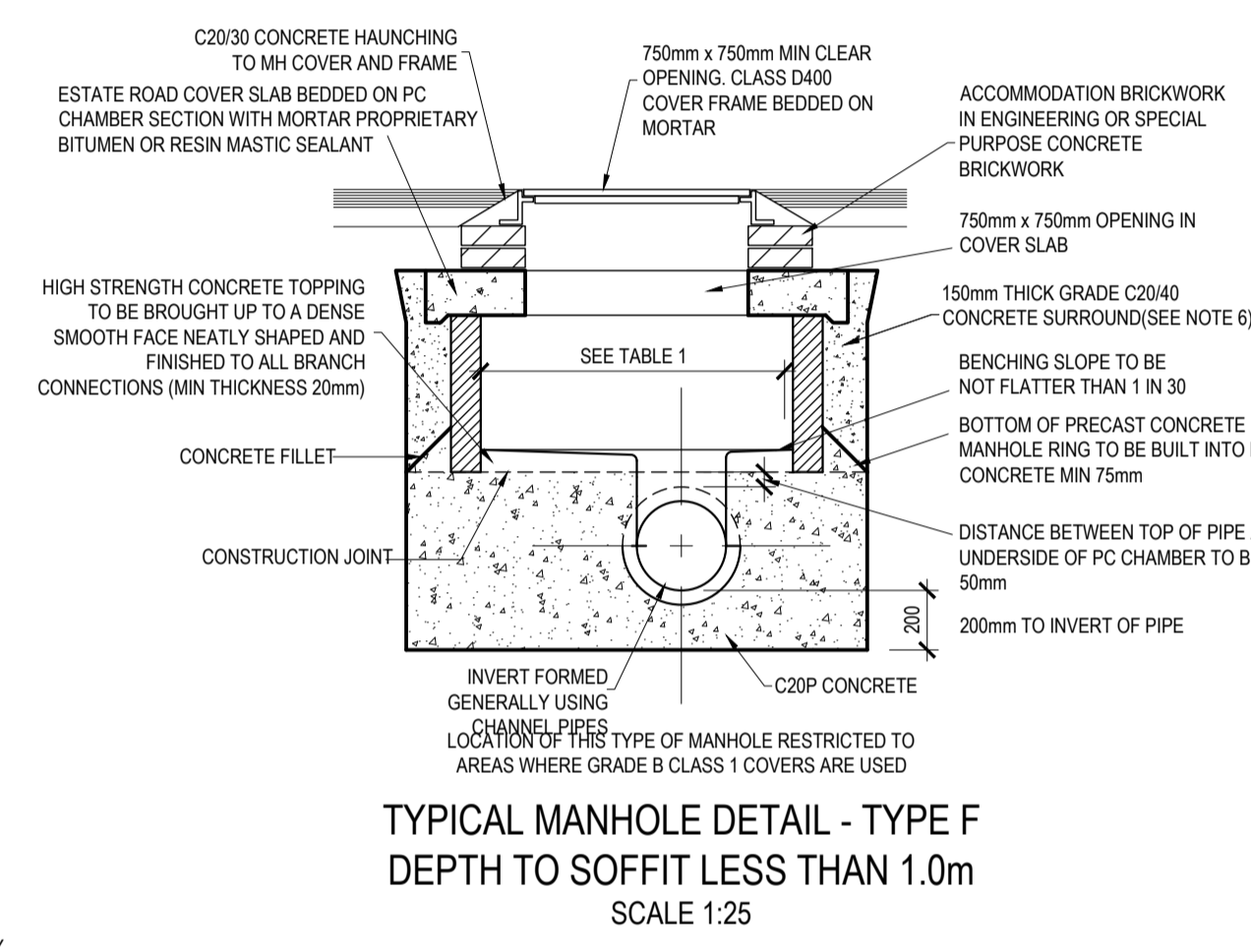
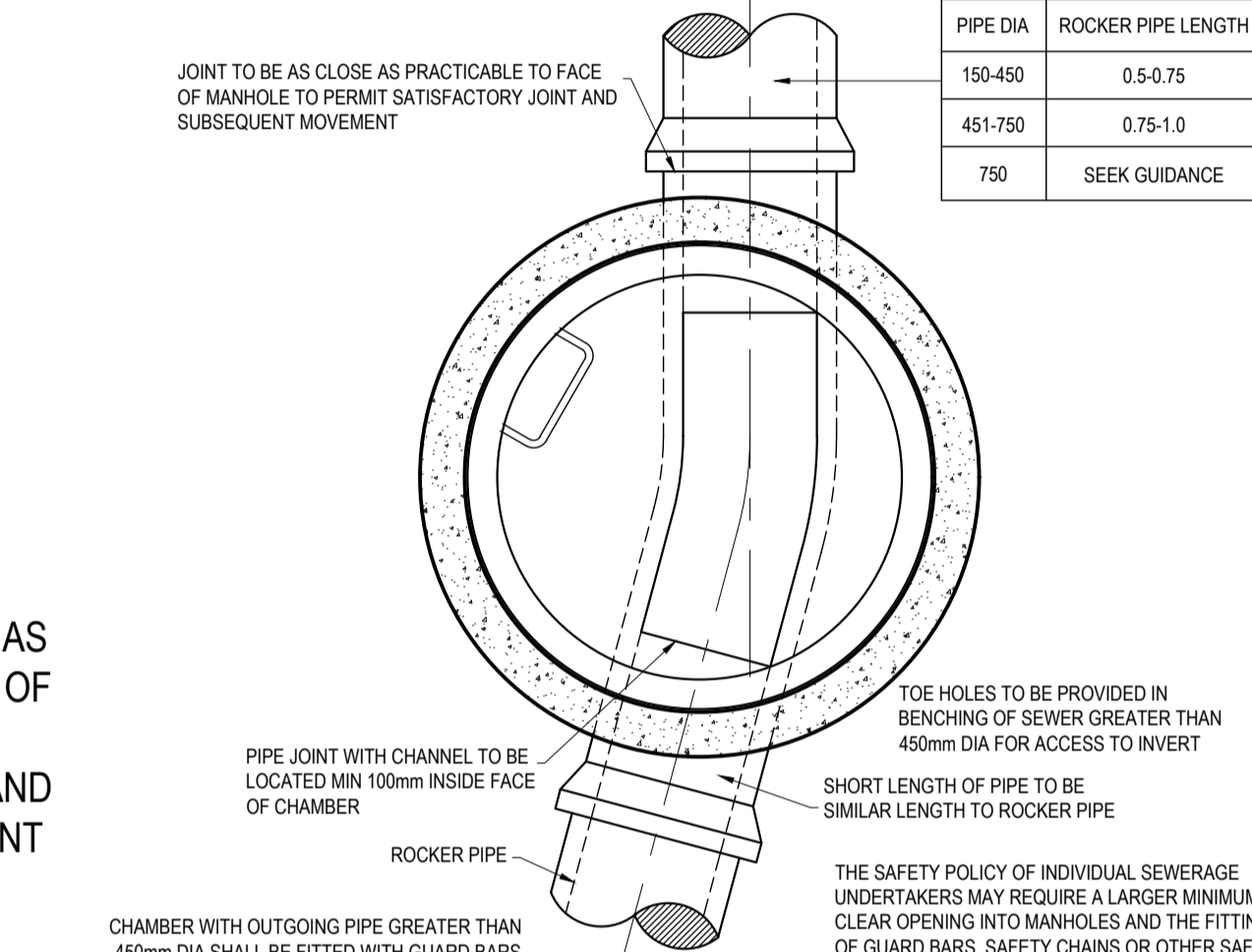
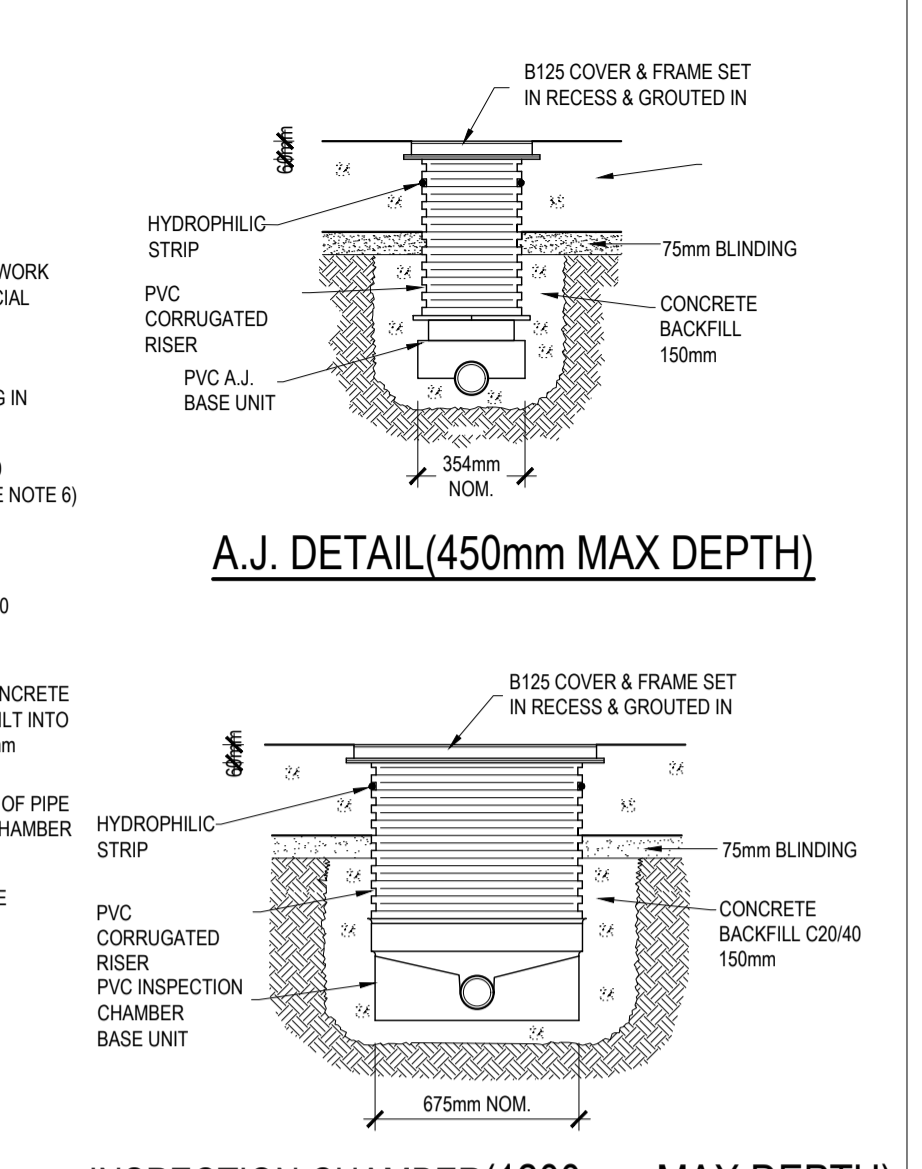
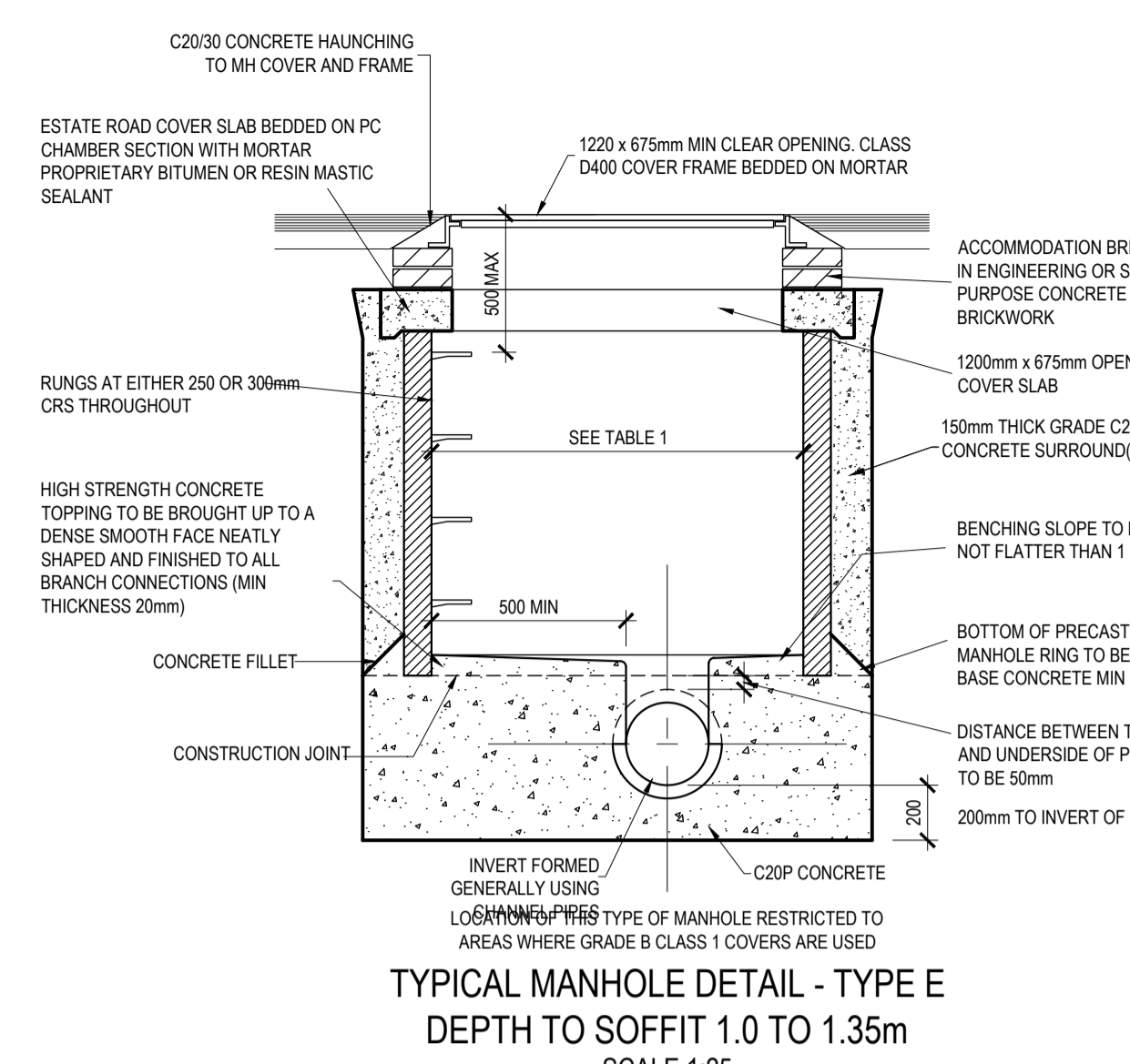
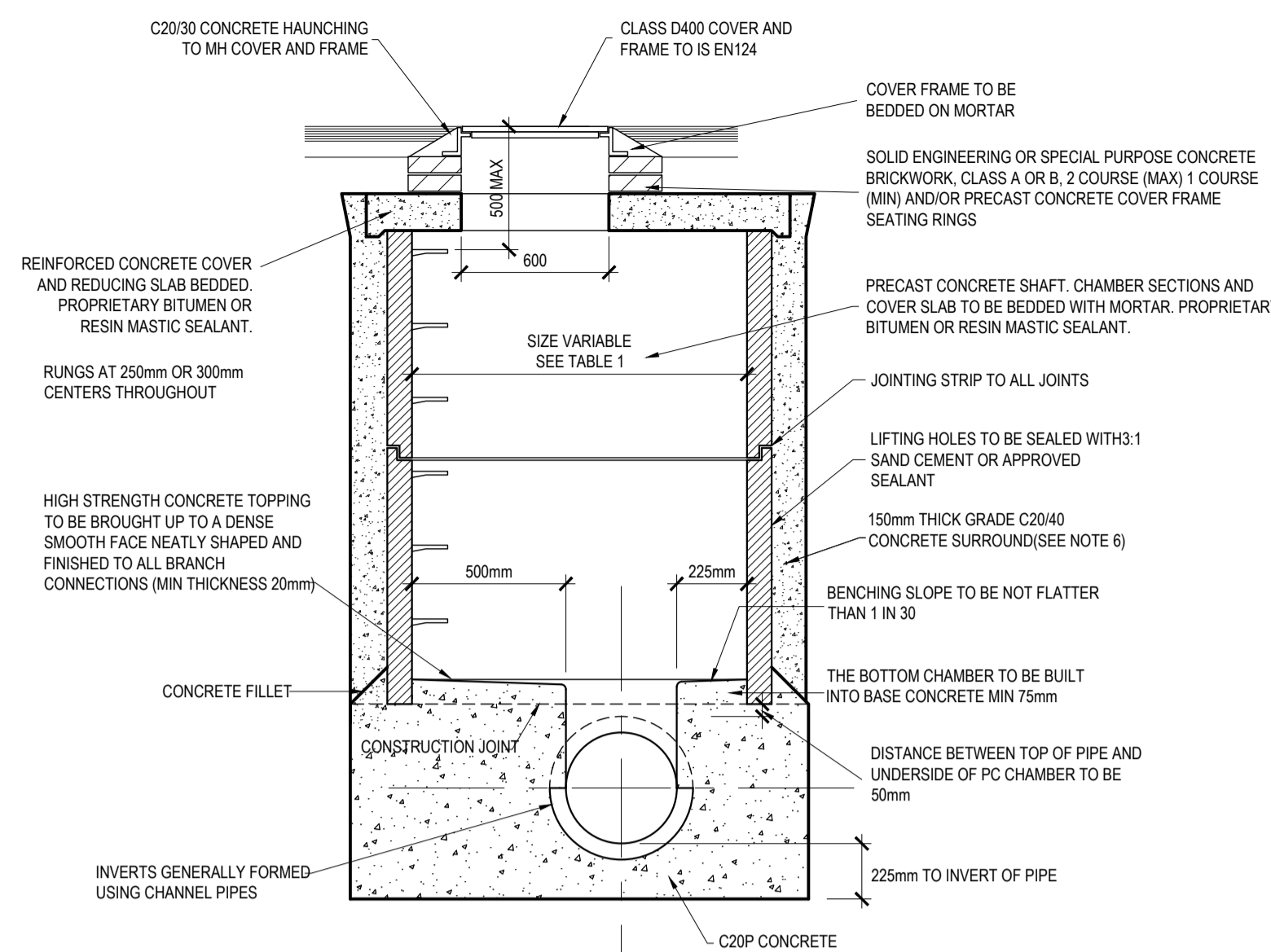
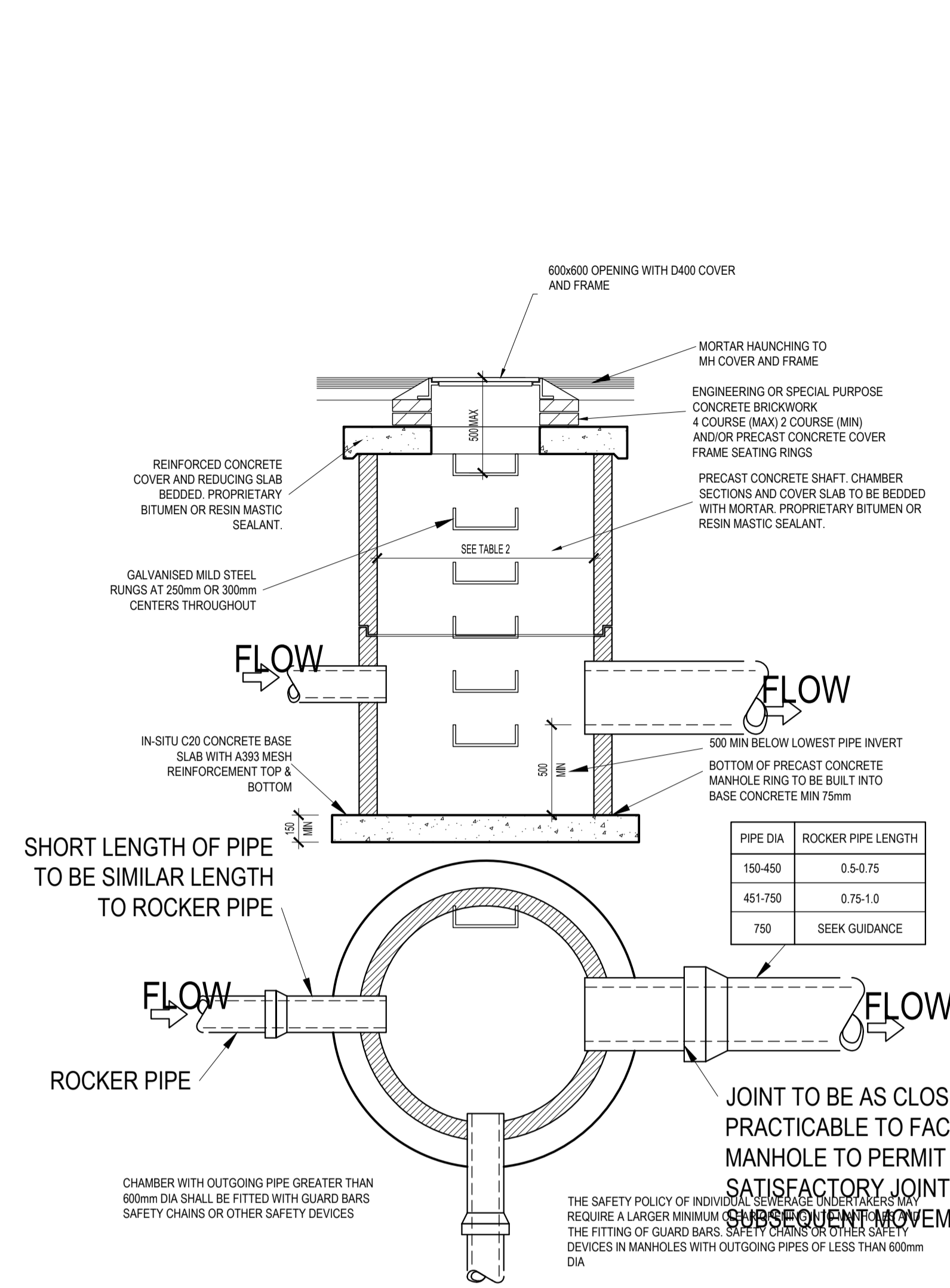


© COPYRIGHT OF THIS DRAWING IS RESERVED BY DBFL CONSULTING ENGINEERS. NO PART SHALL BE REPRODUCED OR TRANSMITTED WITHOUT THEIR WRITTEN PERMISSION.  
 NO CHANGES OF WHATSOEVER NATURE ARE TO BE MADE TO ANY DETAILS SET OUT OR CONTAINED IN ANY DBFL SPECIFICATIONS OR DRAWINGS UNLESS THE EXPRESS CONSENT HAS BEEN OBTAINED IN ADVANCE, IN WRITING, FROM DBFL.

NOTES:

- ALL WORKS TO BE CONSTRUCTED IN ACCORDANCE WITH IWA SPECIFICATION FOR ROAD WORKS UNO.
- ALL REINFORCED CONCRETE ON THIS DRAWING SHALL BE UNO - 35/20 COVER + 50mm MIN
- SURFACE FINISHES FOR CONCRETE:  
 - CLASS F1 FOR ALL CONCRETE 100mm OR MORE BELOW GROUND LEVEL  
 - CLASS F3 FOR ALL EXPOSED CONCRETE ABOVE 100mm BELOW GROUND LEVEL.
- ALL EXPOSED CORNERS ON CONCRETE SHALL BE CHAMFERED WITH 25mm x 25mm CHAMFERS.
- ALL STRUCTURAL CONCRETE (HEADWALLS, PC MANHOLES, PIPES, INTERIOR FLOOR SLABS) TO RECEIVE MESH SUR 180 (OR SIMILAR APPROVED) TAR MODIFIED EPOXY RESIN TO ALL BURIED SURFACES, TO FINISH 100mm BELOW GROUND LEVEL.
- ALL SEWERS SHALL BE PRESSURE TESTED PRIOR TO BACKFILLING.
- RIGID PIPES SHALL BE CAST OR SPUN IRON, CONCRETE, ASBESTOS CEMENT OR CLAY.
- CLASS D400 MANHOLE COVER FRAMES TO BE 150mm DEEP IN ROADS AND 100mm DEEP IN FOOTPATHS AND GREEN AREAS.
- ALL AGGREGATES PROPOSED FOR USE ON THIS SCHEME SHALL MEET FULLY THE REQUIREMENTS OF THE IWA SPECIFICATION FOR ROAD WORKS AND IN ADDITION THE REQUIREMENTS SET OUT IN STANDARD RECOMMENDATION IWA SR 21/2014 GUIDANCE ON THE USE OF I.S. EN 12422:2002 + A1:2007 AGGREGATES FOR UNBOUND AND HYDRAULICALLY BOUND MATERIALS FOR USE IN CIVIL ENGINEERING WORK AND ROAD CONSTRUCTION.
- ALL FOUL SEWERS, MANHOLES AND CONNECTIONS TO BE CONSTRUCTED IN ACCORDANCE WITH IWSH WATER CODE OF PRACTICE AND STANDARD DETAILS.
- ALL SURFACE WATER SEWERS, MANHOLES AND CONNECTIONS TO BE CONSTRUCTED IN ACCORDANCE WITH THE GREATER DUBLIN REGIONAL CODE OF PRACTICE FOR DRAINAGE WORKS.



PIPE DIA	ROCKER PIPE LENGTH
150-450	0.5-0.75
451-750	0.75-1.0
750	SEEK GUIDANCE

TABLE 2

DIAMETER OF LARGEST PIPE IN MANHOLE (mm)	CHAMBER SECTION DIAMETER (mm)
LESS THAN 375	1200
375 - 450	1350
500 - 700	1500
750 - 900	1800
> 750	PIPE SIZE + 1.3m

TABLE 1

rev	date	description	GMC	BCM
P01	01-09-22	STAGE 3 SHD PLANNING		
rev	date	description	by	chkd.
		A - Approved		
		B - Approved with comments		
		C - Do not use		

client approval

suitability S2 - INFORMATION issue purpose PLANNING

**DBFL Consulting Engineers**  
 Civil, Structural & Transportation Engineering  
 www.dbfl.ie

DUBLIN OFFICE: Ormond House, Upper Ormond Quay, Dublin 7, D07 W704  
 PHONE +353 1 406 4000  
 CORK OFFICE: 14 South Mall, Cork, T12 CT91  
 PHONE +353 21 2024538  
 WATERFORD OFFICE: Suite 10 The Atrium, Maritime Gate, Canada Street, Waterford, X91 W028  
 PHONE +353 51 309 500

ASHBOURNE SHD

drawing title

**TYPICAL DRAINAGE CONSTRUCTION DETAILS SHEET 1**

client

**ARNUB LTD. & ASPECT HOMES (ADC) LTD**

designed by BCM author GMC scale AS NOTED sheet size A1

drawing no. 200059-DBFL-CS-SP-DR-C-5301 revision P01