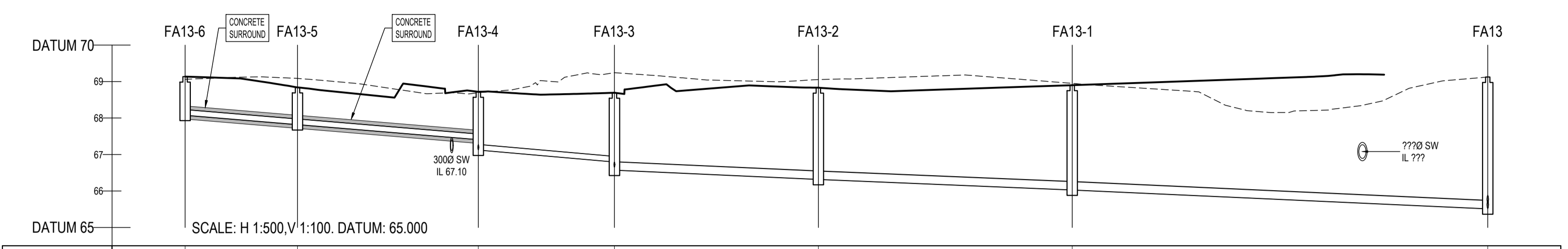


© COPYRIGHT OF THIS DRAWING IS RESERVED BY DBFL CONSULTING ENGINEERS. NO PART SHALL BE REPRODUCED OR TRANSMITTED WITHOUT THEIR WRITTEN PERMISSION.
 NO CHANGES OF WHATSOEVER NATURE ARE TO BE MADE TO ANY DETAILS SET OUT OR CONTAINED IN ANY DBFL SPECIFICATIONS OR DRAWINGS UNLESS THE EXPRESS CONSENT HAS BEEN OBTAINED IN ADVANCE, IN WRITING, FROM DBFL.

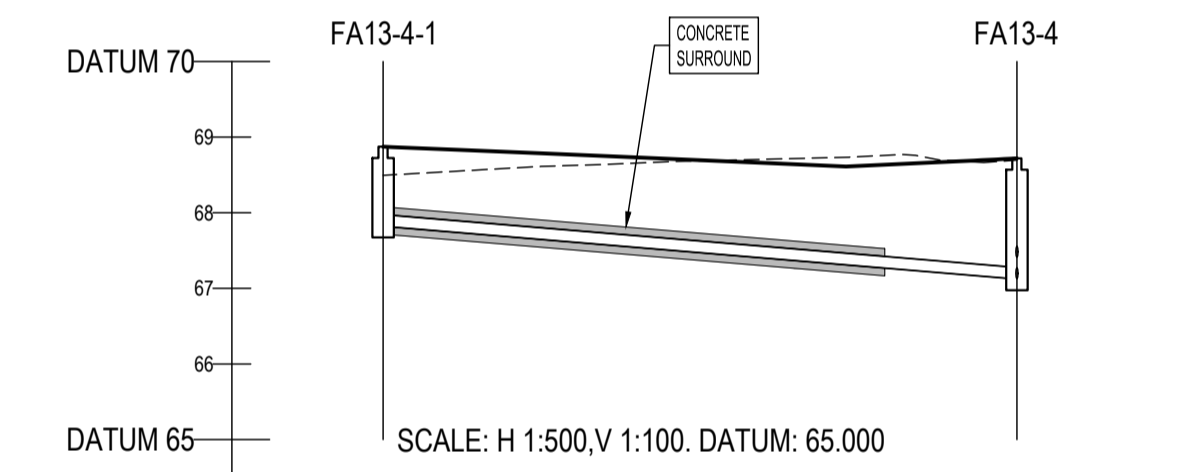
- NOTES:
- ALL DRAWINGS TO BE CHECKED BY CONTRACTOR ON SITE AND ENGINEER INFORMED OF DISCREPANCIES BEFORE WORK COMMENCES
 - ALL LEVELS ARE IN METRES AND ARE RELATED TO ORDINANCE DATUM
 - CONTRACTOR SHALL SATISFY HIMSELF AS TO THE ACCURACY OF PAVEMENT LEVELS ON SITE PRIOR TO COMMENCEMENT OF WORKS ON SITE
 - ALL WORKS TO BE CONSTRUCTED IN ACCORDANCE WITH THE NRA SPECIFICATION FOR ROAD WORKS UNLESS NOTED OTHERWISE
 - THIS DRAWING IS FOR PLANNING PURPOSES ONLY
 - MANHOLE COVER LEVELS ARE TO CONFORM WITH FINISHED ROAD AND PATH LEVELS
 - WHERE COVER TO PIPE IS LESS THAN 1200mm (ROAD/PATH/VERGE) OR 900mm (OPEN SPACE) SURROUND PIPE IN MINIMUM 150mm CONCRETE



SCALE: H 1:500, V 1:100. DATUM: 65.000

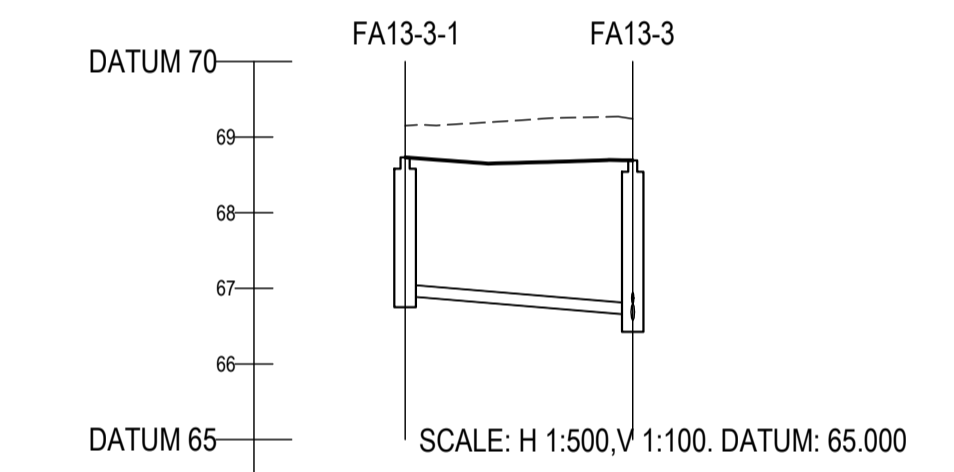
COVER LEVEL	68.136	68.839	68.719	68.692	68.832	68.900	68.125											
INVERT LEVEL	68.078	11.000	67.822	11.001	67.409	67.124	11.002	66.797	66.374	11.003	66.320	66.320	11.004	66.031	66.031	11.005	65.514	65.514
DEPTH (m)	1.058		1.018		1.595		1.595		2.118		2.512		2.512		2.870		3.611	
DISTANCE (m)	15.38		24.75		18.63		27.91		34.75		56.88							
PIPE SLOPE	1:60		1:60		1:57		1:110		1:120		1:110							
PIPE SIZE	150mm		150mm		150mm		225mm		225mm		225mm		225mm		225mm		150mm	
PIPE TYPE	uPVC SN8		uPVC SN8		uPVC SN8		uPVC SN8		uPVC SN8		uPVC SN8		uPVC SN8		uPVC SN8		uPVC SN8	

KEY
 - - - - - EXISTING GROUND PROFILE
 _____ PROPOSED GROUND PROFILE



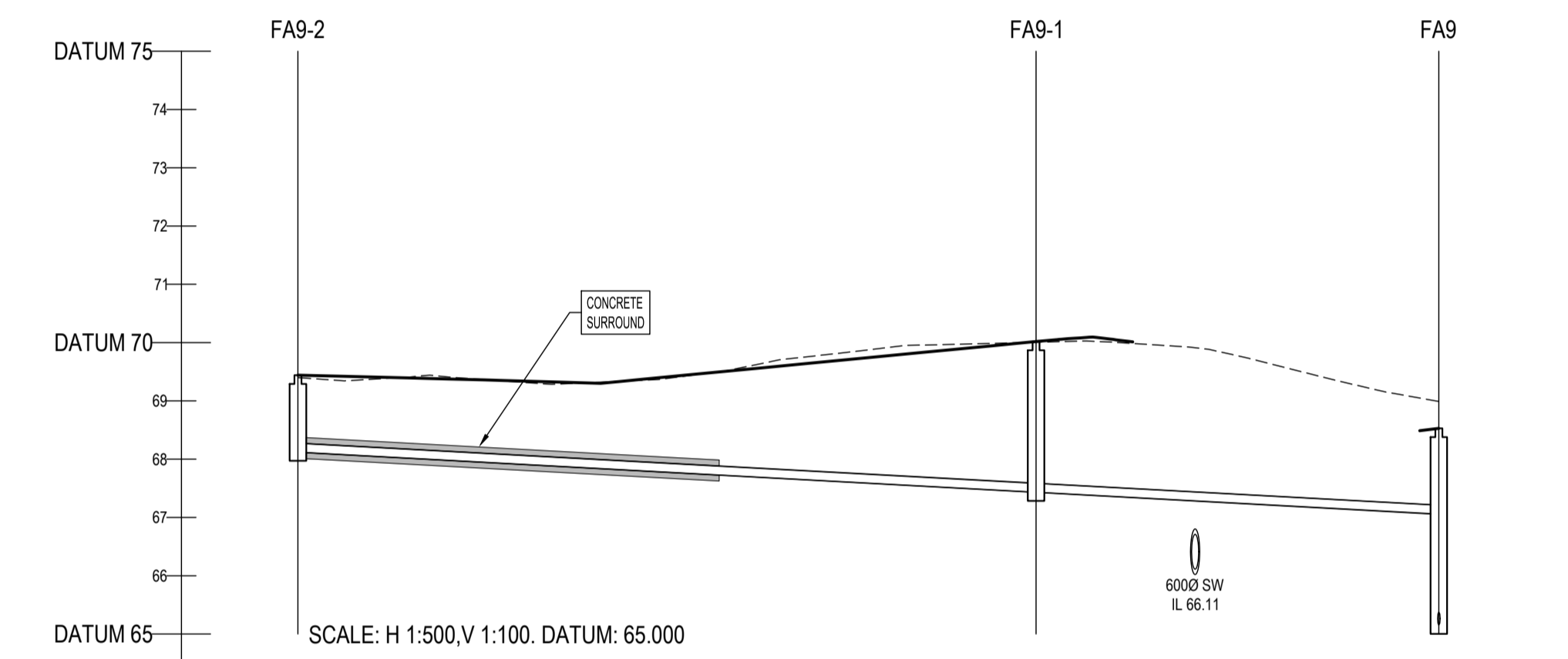
SCALE: H 1:500, V 1:100. DATUM: 65.000

COVER LEVEL	68.873	68.719		
INVERT LEVEL	67.823	12.000	67.124	68.719
DEPTH (m)	1.050		1.595	
DISTANCE (m)	41.92			
PIPE SLOPE	1:60		1:60	
PIPE SIZE	150mm		150mm	
PIPE TYPE	uPVC SN8		uPVC SN8	



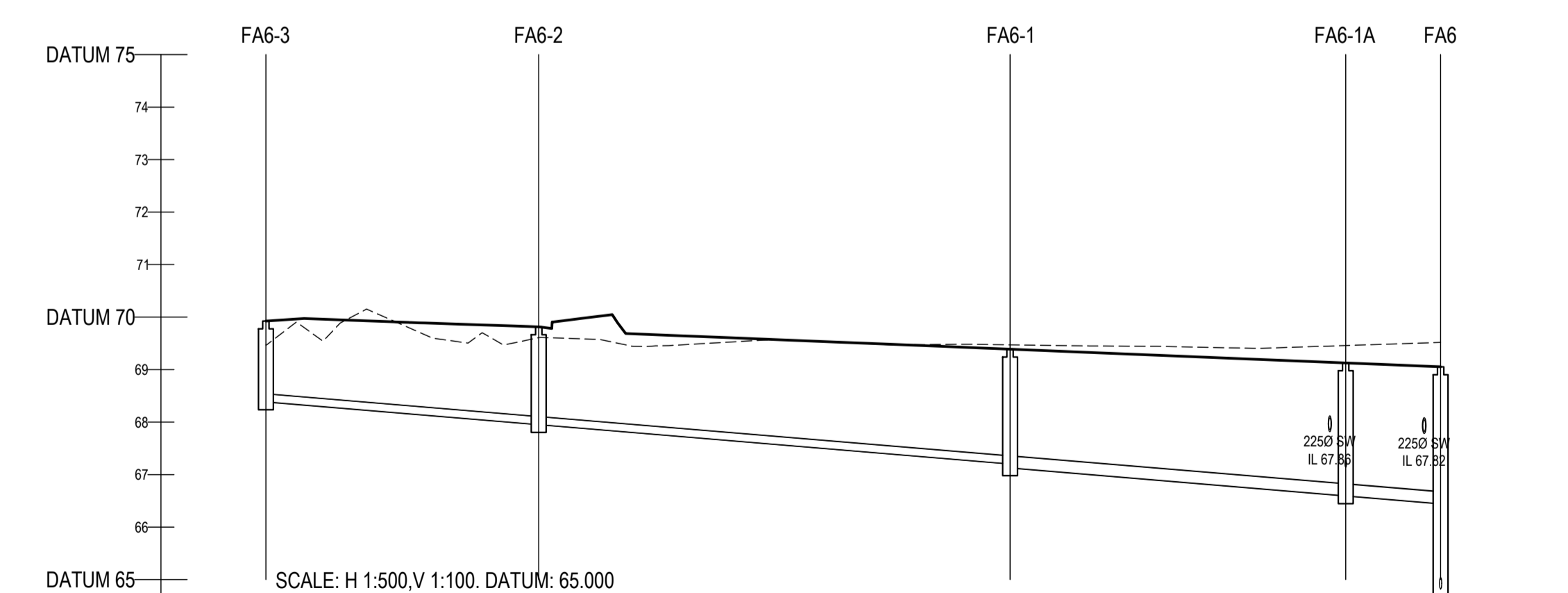
SCALE: H 1:500, V 1:100. DATUM: 65.000

COVER LEVEL	68.733	68.692		
INVERT LEVEL	66.900	13.000	65.849	68.692
DEPTH (m)	1.833		2.118	
DISTANCE (m)	15.06			
PIPE SLOPE	1:92		1:92	
PIPE SIZE	150mm		150mm	
PIPE TYPE	uPVC SN8		uPVC SN8	



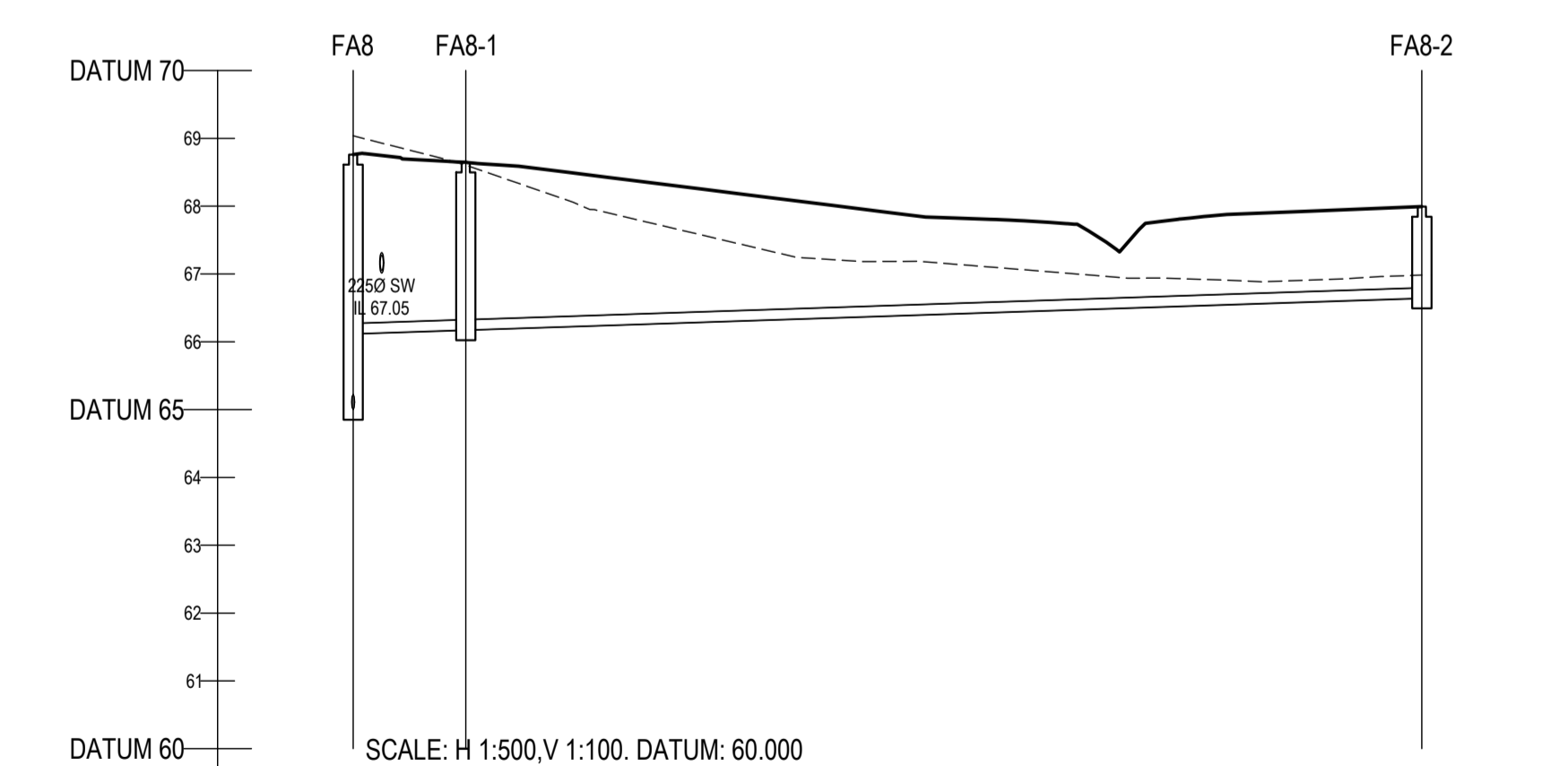
SCALE: H 1:500, V 1:100. DATUM: 65.000

COVER LEVEL	69.441	70.018	68.509				
INVERT LEVEL	68.122	15.000	67.434	67.434	15.001	67.058	68.509
DEPTH (m)	1.319		2.584		3.377		
DISTANCE (m)	63.33		34.56				
PIPE SLOPE	1:92		1:92				
PIPE SIZE	150mm		150mm				
PIPE TYPE	uPVC SN8		uPVC SN8				



SCALE: H 1:500, V 1:100. DATUM: 65.000

COVER LEVEL	69.825	69.814	69.389	69.128	69.653									
INVERT LEVEL	68.386	17.000	67.853	67.853	17.001	67.204	67.129	17.002	66.596	66.596	17.003	66.445	66.445	
DEPTH (m)	1.539		1.962		2.230		2.532		2.532		2.532		4.235	
DISTANCE (m)	26.00		44.91		31.98		9.05							
PIPE SLOPE	1:60		1:60		1:60		1:60							
PIPE SIZE	150mm		150mm		225mm		225mm		225mm		225mm		150mm	
PIPE TYPE	uPVC SN8		uPVC SN8		uPVC SN8		uPVC SN8		uPVC SN8		uPVC SN8		uPVC SN8	



SCALE: H 1:500, V 1:100. DATUM: 60.000

COVER LEVEL	68.701	68.647	67.993				
INVERT LEVEL	66.118	16.001	66.173	66.173	16.000	66.643	67.993
DEPTH (m)	3.781		2.474		1.350		
DISTANCE (m)	8.31		70.54				
PIPE SLOPE	1:151		1:150				
PIPE SIZE	150mm		150mm				
PIPE TYPE	uPVC SN8		uPVC SN8				

P01	01-09-22	STAGE 3 SHD PLANNING	GMC	BCM
rev	date	description	by	chkd.
		A - Approved		
		B - Approved with comments		
		C - Do not use		
client approval				
suitability		issue purpose		
S2 - INFORMATION		PLANNING		

DBFL Consulting Engineers
 Civil, Structural & Transportation Engineering
 www.dbfl.ie

DUBLIN OFFICE: Ormond House, Upper Ormond Quay, Dublin 7, D07 W704
 PHONE: +353 1 450 4000

CORK OFFICE: Phoenix House, Monahan Road, Cork, T12 H1XV
 PHONE: +353 (0) 21 2054538

WATERFORD OFFICE: Suite 10 The Arkun, Maritime Gate, Canada Street, Waterford, X91 W028
 PHONE: +353 51 309 500

project ref.
ASHBOURNE SHD

drawing title
LONGITUDINAL SECTIONS THROUGH FOUL SEWER SHEET 3

client
ARNUB LTD. & ASPECT HOMES (ADC) LTD

designed by
 BCM

author
 GMC

scale
 H 1:500, V 1:100

sheet size
 A1

drawing no.
 200059-DBFL-FW-SP-DR-C-3303

revision
 P01