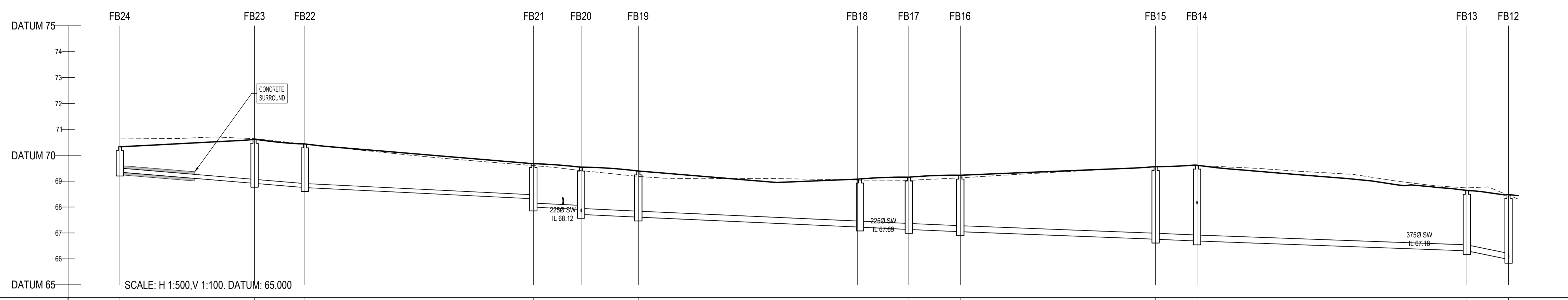
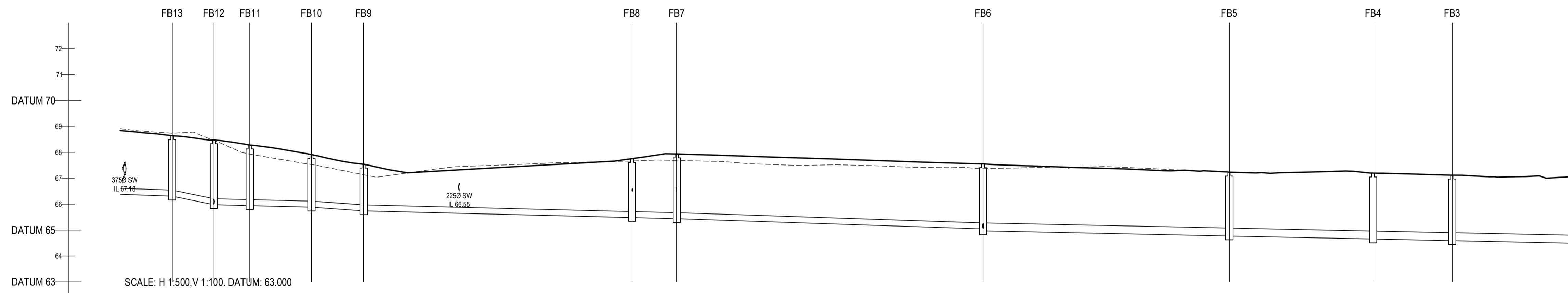


© COPYRIGHT OF THIS DRAWING IS RESERVED BY DBFL CONSULTING ENGINEERS. NO PART SHALL BE REPRODUCED OR TRANSMITTED WITHOUT THEIR WRITTEN PERMISSION.
 NO CHANGES OF WHATSOEVER NATURE ARE TO BE MADE TO ANY DETAILS SET OUT OR CONTAINED IN ANY DBFL SPECIFICATIONS OR DRAWINGS UNLESS THE EXPRESS CONSENT HAS BEEN OBTAINED IN ADVANCE, IN WRITING, FROM DBFL.

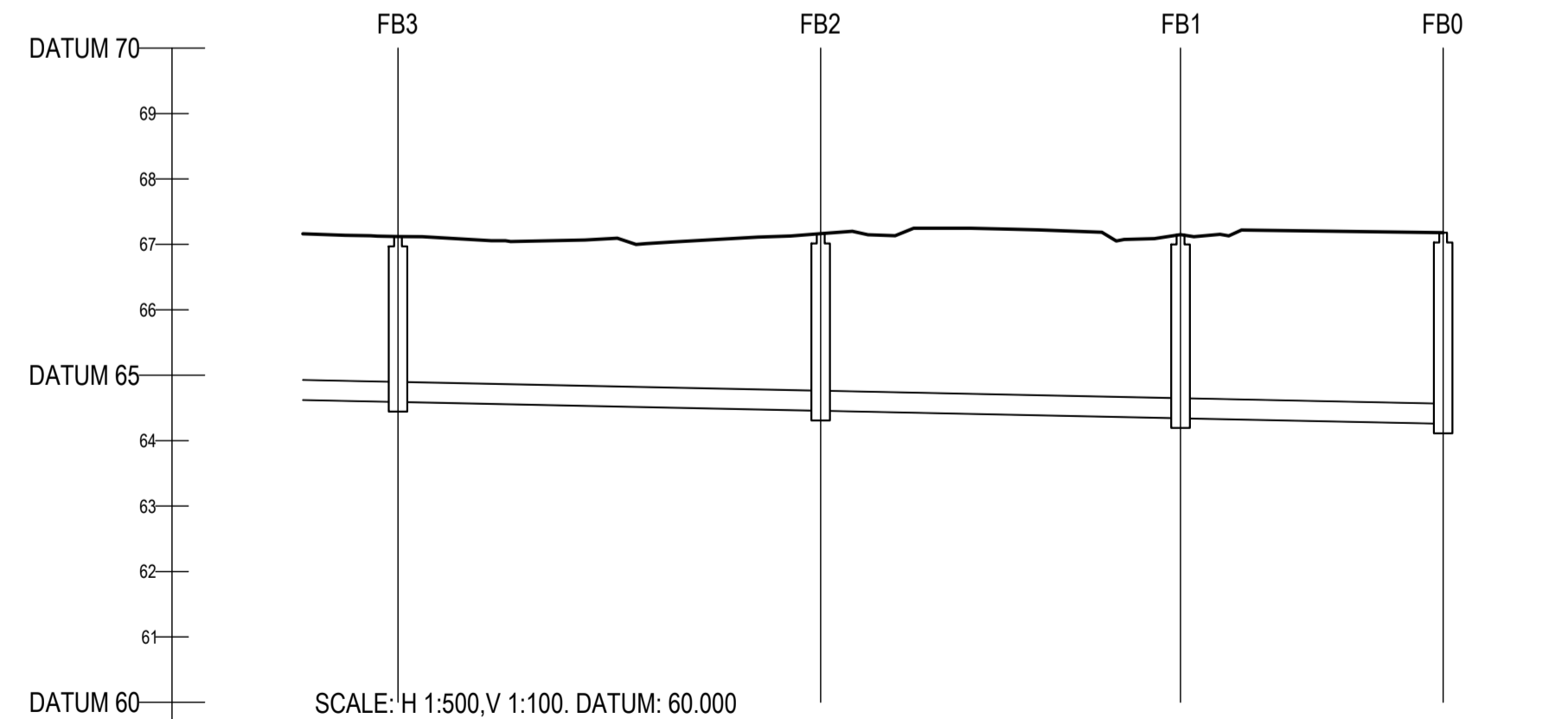
- NOTES:
- ALL DRAWINGS TO BE CHECKED BY CONTRACTOR ON SITE AND ENGINEER INFORMED OF DISCREPANCIES BEFORE WORK COMMENCES
 - ALL LEVELS ARE IN METRES AND ARE RELATED TO ORDNANCE DATUM
 - CONTRACTOR SHALL SATISFY HIMSELF AS TO THE ACCURACY OF PAVEMENT LEVELS ON SITE PRIOR TO COMMENCEMENT OF WORKS ON SITE
 - ALL WORKS TO BE CONSTRUCTED IN ACCORDANCE WITH THE NRA SPECIFICATION FOR ROAD WORKS UNLESS NOTED OTHERWISE
 - THIS DRAWING IS FOR PLANNING PURPOSES ONLY
 - MANHOLE COVER LEVELS ARE TO CONFORM WITH FINISHED ROAD AND PATH LEVELS
 - WHERE COVER TO PIPE IS LESS THAN 1200mm (ROAD/PATH/VERGE) OR 900mm (OPEN SPACE) SURROUND PIPE IN MINIMUM 150mm CONCRETE



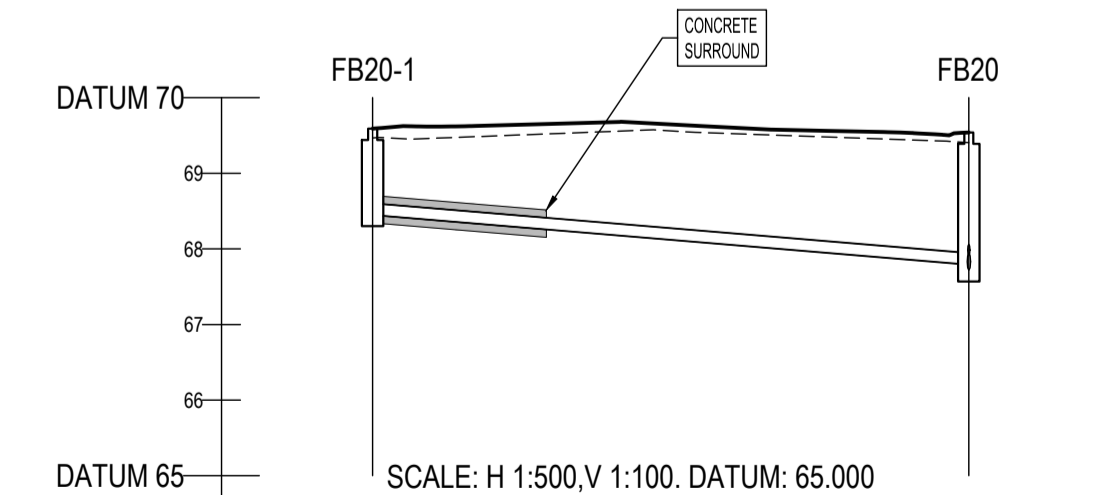
COVER LEVEL	70.327		70.613	70.438			69.674	69.539			69.392				69.562	69.616		69.641	69.483				
INVERT LEVEL	69.326	1.000	69.917	1.001	69.705	1.002	68.322	1.003	67.910	1.004	67.613	1.005	67.228	1.006	67.138	1.007	67.061	1.008	66.761	1.010	66.313	1.011	65.982
DEPTH (m)	0.977		1.096		1.683		1.674		1.822		1.780		1.851		2.015		2.178		2.801		2.229		2.501
DISTANCE (m)		26.01	9.72		44.11		9.23		11.05		42.88		9.43		9.95		37.71		8.00		52.10		8.05
PIPE SLOPE		1.60	1.60		1.102		1.103		1.105		1.112		1.104		1.115		1.130		1.114		1.138		1.24
PIPE SIZE		150mm	150mm		150mm		150mm		225mm		225mm		225mm		225mm		225mm		225mm		225mm		225mm
PIPE TYPE		uPVC SN8	uPVC SN8		uPVC SN8		uPVC SN8		uPVC SN8		uPVC SN8		uPVC SN8		uPVC SN8		uPVC SN8		uPVC SN8		uPVC SN8		uPVC SN8



COVER LEVEL	66.691	66.313	66.811	66.483	66.261	66.913	66.744	67.542		66.485	67.757		66.047	67.556		64.773	67.233		64.559	67.199		64.594	67.120	64.459		
INVERT LEVEL	1.010	66.313	1.011	65.982	65.912	65.947	1.013	65.887	1.014	65.744	1.015		1.016	65.442	1.017	64.972	67.556	1.018	64.773	1.019	64.559	67.199	1.020	64.594	1.021	64.459
DEPTH (m)	2.329	2.501	2.515	2.206	1.797	2.271	2.483	2.595	2.460	2.541	2.526		2.585	2.460	2.541	2.526		2.776	2.541	2.526		2.526		2.526		
DISTANCE (m)	52.10	8.05	6.92	11.93	10.07	51.82	8.64	59.15	47.55	1.240	1.240	1.240	1.240	1.240	1.240	1.240	1.240	1.240	1.240	1.240	1.240	1.240	1.240	1.240	1.240	
PIPE SLOPE	1.138	1.24	1.198	1.200	1.240	1.200	1.240	1.240	1.240	1.240	1.240	1.240	1.240	1.240	1.240	1.240	1.240	1.240	1.240	1.240	1.240	1.240	1.240	1.240	1.240	
PIPE SIZE	225mm	225mm	225mm	225mm	225mm	225mm	225mm	225mm	225mm	225mm	225mm	225mm	225mm	225mm	225mm	225mm	225mm	225mm	225mm	225mm	225mm	225mm	225mm	225mm	225mm	
PIPE TYPE	uPVC SN8	uPVC SN8	uPVC SN8	uPVC SN8	uPVC SN8	uPVC SN8	uPVC SN8	uPVC SN8	uPVC SN8	uPVC SN8	uPVC SN8	uPVC SN8	uPVC SN8	uPVC SN8	uPVC SN8	uPVC SN8	uPVC SN8	uPVC SN8	uPVC SN8	uPVC SN8	uPVC SN8	uPVC SN8	uPVC SN8	uPVC SN8	uPVC SN8	



COVER LEVEL	67.120		67.149	67.119					
INVERT LEVEL	64.655	1.020	64.594	1.021	64.459	1.022	64.345	1.023	64.261
DEPTH (m)	2.526	2.526	2.526	2.526	2.526	2.526	2.526	2.526	2.526
DISTANCE (m)	15.29	32.32	27.52	20.08	29.18				
PIPE SLOPE	1.240	1.240	1.240	1.240	1.240				
PIPE SIZE	300mm	300mm	300mm	300mm	300mm				
PIPE TYPE	uPVC SN8	uPVC SN8	uPVC SN8	uPVC SN8	uPVC SN8				



COVER LEVEL	69.589		69.528
INVERT LEVEL	68.450	2.000	67.793
DEPTH (m)	1.139		1.822
DISTANCE (m)		39.43	
PIPE SLOPE		1.60	
PIPE SIZE		150mm	
PIPE TYPE		uPVC SN8	

KEY
 - - - - - EXISTING GROUND PROFILE
 _____ PROPOSED GROUND PROFILE

P01	01-09-22	STAGE 3 SHD PLANNING	GMC	BCM
rev	date	description	by	chkd.
client approval	A - Approved			
	B - Approved with comments			
	C - Do not use			
suitability	S2 - INFORMATION		PLANNING	
		DBFL Consulting Engineers Civil, Structural & Transportation Engineering www.dbfl.ie		
DUBLIN OFFICE: Ormond House, Upper Ormond Quay, Dublin 7, D07 W704 PHONE: +353 1 454 4000 CORK OFFICE: Phoenix House, Monahan Road, Cork, T12 H1XV PHONE: +353 (0) 21 2054538 WATERFORD OFFICE: Suite 10 The Arkun, Maritime Gate, Canada Street, Waterford, X91 WQ28 PHONE: +353 51 309 500				
project ref.				

ASHBOURNE SHD			
drawing title			
LONGITUDINAL SECTIONS THROUGH FOUL SEWER SHEET 5			
client			
ARNUB LTD. & ASPECT HOMES (ADC) LTD			
designed by	author	scale	sheet size
BCM	GMC	H 1:500, V 1:100	A1
drawing no.	200059-DBFL-FW-SP-DR-C-3305		revision
			P01