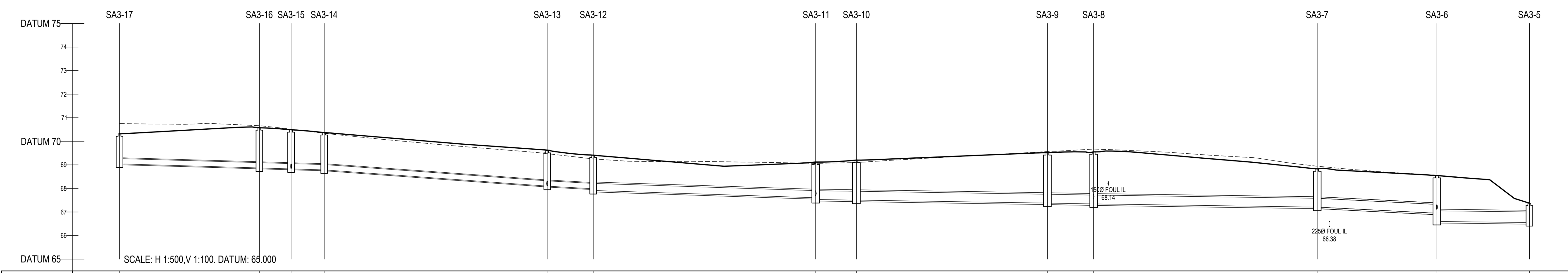


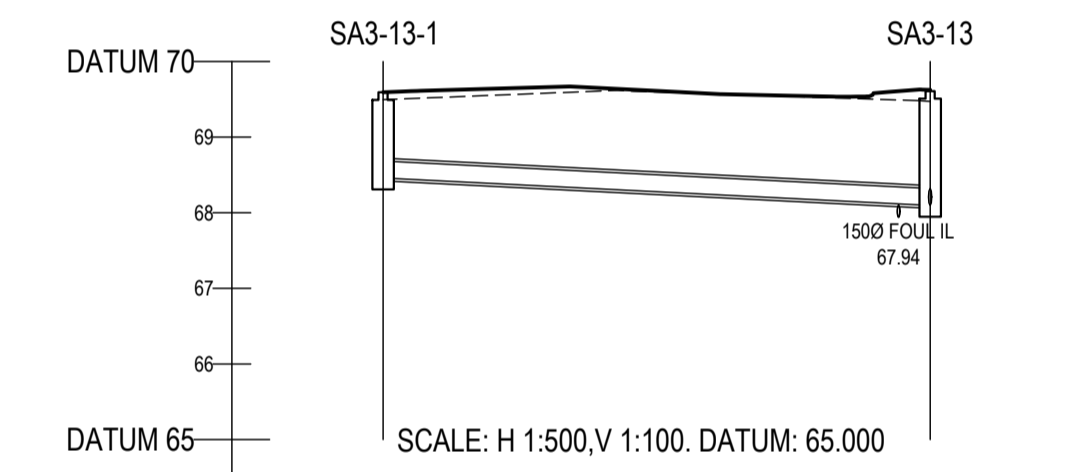
© COPYRIGHT OF THIS DRAWING IS RESERVED BY DBFL CONSULTING ENGINEERS. NO PART SHALL BE REPRODUCED OR TRANSMITTED WITHOUT THEIR WRITTEN PERMISSION.  
 NO CHANGES OF WHATSOEVER NATURE ARE TO BE MADE TO ANY DETAILS SET OUT OR CONTAINED IN ANY DBFL SPECIFICATIONS OR DRAWINGS UNLESS THE EXPRESS CONSENT HAS BEEN OBTAINED IN ADVANCE, IN WRITING, FROM DBFL.

- NOTES:
- ALL DRAWINGS TO BE CHECKED BY CONTRACTOR ON SITE AND ENGINEER INFORMED OF DISCREPANCIES BEFORE WORK COMMENCES
  - ALL LEVELS ARE IN METRES AND ARE RELATED TO ORDINANCE DATUM
  - CONTRACTOR SHALL SATISFY HIMSELF AS TO THE ACCURACY OF PAVEMENT LEVELS ON SITE PRIOR TO COMMENCEMENT OF WORKS ON SITE
  - ALL WORKS TO BE CONSTRUCTED IN ACCORDANCE WITH THE NRA SPECIFICATION FOR ROAD WORKS UNLESS NOTED OTHERWISE
  - THIS DRAWING IS FOR PLANNING PURPOSES ONLY
  - MANHOLE COVER LEVELS ARE TO CONFORM WITH FINISHED ROAD AND PATH LEVELS
  - WHERE COVER TO PIPE IS LESS THAN 1200mm (ROAD/PATH/VERGE) OR 900mm (OPEN SPACE) SURROUND PIPE IN MINIMUM 150mm CONCRETE



COVER LEVEL	70.314	70.573	70.490	70.367	69.609	69.412	69.118	69.202	69.516	69.550	69.828	69.547	67.371															
INVERT LEVEL	69.042	1.000	69.898	69.901	69.828	69.802	68.717	1.003	69.096	1.004	67.987	67.912	1.005	67.695	67.530	1.006	67.503	67.503	1.007	67.207	67.207	1.010	66.946	66.600	1.011	66.552		
DEPTH (m)	1.272		1.705	1.001	1.062	1.002	1.590		1.513	1.004	1.500	1.500		1.598	1.598	1.006	1.006	1.006		1.009		1.621	1.621	1.010	1.947	1.947	1.011	0.819
DISTANCE (m)		29.64	6.73	7.01			47.26		9.76		1.500	1.500		47.16	8.63				40.49		47.39		25.36		19.61			
PIPE SLOPE		1:170	1:168	1:171			1:68		1:90		1:154	1:154		1:319	1:319				1:324		1:351		1:97		1:409			
PIPE SIZE		225mm	225mm	225mm			225mm		225mm		300mm	300mm		375mm	375mm				375mm		375mm		375mm		450mm			

KEY  
 - - - - - EXISTING GROUND PROFILE  
 \_\_\_\_\_ PROPOSED GROUND PROFILE



COVER LEVEL	69.669	69.669
INVERT LEVEL	68.459	68.096
DEPTH (m)	1.104	1.573
DISTANCE (m)	36.18	
PIPE SLOPE	1:100	
PIPE SIZE	225mm	

P01	01-09-22	STAGE 3 SHD PLANNING	GMC	BCM
rev	date	description	by	chkd.
		A - Approved		
		B - Approved with comments		
		C - Do not use		

SO - WORK IN PROGRESS | issue purpose: PLANNING

**DBFL Consulting Engineers**  
 Civil, Structural & Transportation Engineering  
 www.dbfl.ie

DUBLIN OFFICE: Ormond House, Upper Ormond Quay, Dublin 7, D07 W704  
 PHONE +353 1 450 4000

CORK OFFICE: Phoenix House, Monahan Road, Cork, T12 H1XV  
 PHONE +353 (0)21 2024538

WATERFORD OFFICE: Suite 10 The Arkun, Maritime Gate, Canada Street, Waterford, X91 W028  
 PHONE +353 51 309 500

ASHBOURNE SHD

drawing title  
 LONGITUDINAL SECTIONS THROUGH SURFACE WATER SHEET 5

client  
 ARNUB LTD. & ASPECT HOMES (ADC) LTD

designed by: BCM  
 author: GMC  
 scale: H 1:500, V 1:100  
 sheet size: A1

drawing no.: 200059-DBFL-SW-DR-C-3305  
 revision: P01