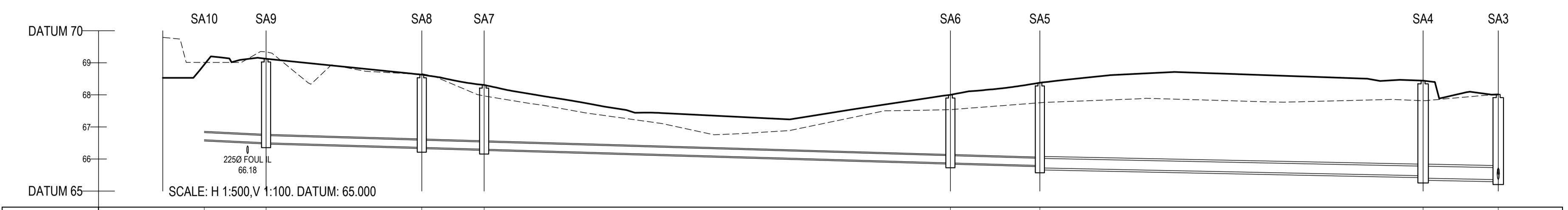


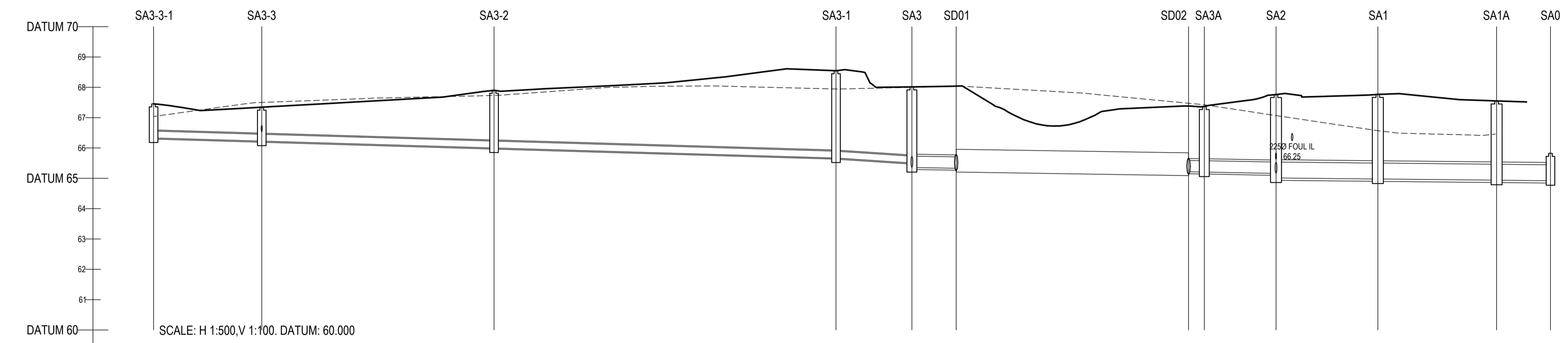
© COPYRIGHT OF THIS DRAWING IS RESERVED BY DBFL CONSULTING ENGINEERS. NO PART SHALL BE REPRODUCED OR TRANSMITTED WITHOUT THEIR WRITTEN PERMISSION.  
 NO CHANGES OF WHATSOEVER NATURE ARE TO BE MADE TO ANY DETAILS SET OUT OR CONTAINED IN ANY DBFL SPECIFICATIONS OR DRAWINGS UNLESS THE EXPRESS CONSENT HAS BEEN OBTAINED IN ADVANCE, IN WRITING, FROM DBFL.

- NOTES:
- ALL DRAWINGS TO BE CHECKED BY CONTRACTOR ON SITE AND ENGINEER INFORMED OF DISCREPANCIES BEFORE WORK COMMENCES
  - ALL LEVELS ARE IN METRES AND ARE RELATED TO ORDINANCE DATUM
  - CONTRACTOR SHALL SATISFY HIMSELF AS TO THE ACCURACY OF PAVEMENT LEVELS ON SITE PRIOR TO COMMENCEMENT OF WORKS ON SITE
  - ALL WORKS TO BE CONSTRUCTED IN ACCORDANCE WITH THE NRA SPECIFICATION FOR ROAD WORKS UNLESS NOTED OTHERWISE
  - THIS DRAWING IS FOR PLANNING PURPOSES ONLY
  - MANHOLE COVER LEVELS ARE TO CONFORM WITH FINISHED ROAD AND PATH LEVELS
  - WHERE COVER TO PIPE IS LESS THAN 1200mm (ROAD/PATH/VERGE) OR 900mm (OPEN SPACE) SURROUND PIPE IN MINIMUM 150mm CONCRETE



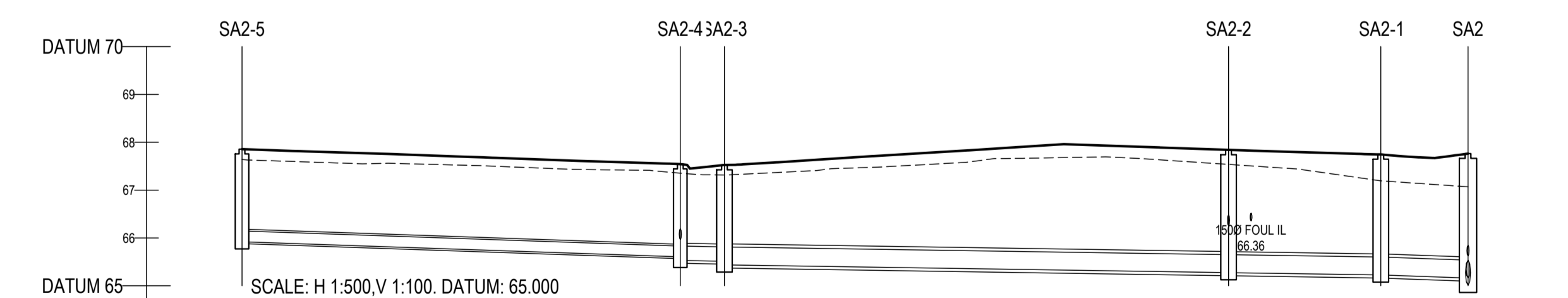
SCALE: H 1:500, V 1:100. DATUM: 65.000

COVER LEVEL	68.942	68.124	68.632	68.310	66.001	66.378	68.444	68.015
INVERT LEVEL	66.600	66.525	66.382	66.305	66.678	65.797	65.478	65.325
DEPTH (m)	2.342	2.619	2.250	2.004	2.122	2.666	3.040	2.690
DISTANCE (m)	9.62	24.24	9.71	72.57	13.93	59.64	11.70	
PIPE SLOPE	1:101	1:170	1:170	1:170	1:170	1:245	1:244	
PIPE SIZE	225mm	225mm	225mm	225mm	225mm	300mm	375mm	



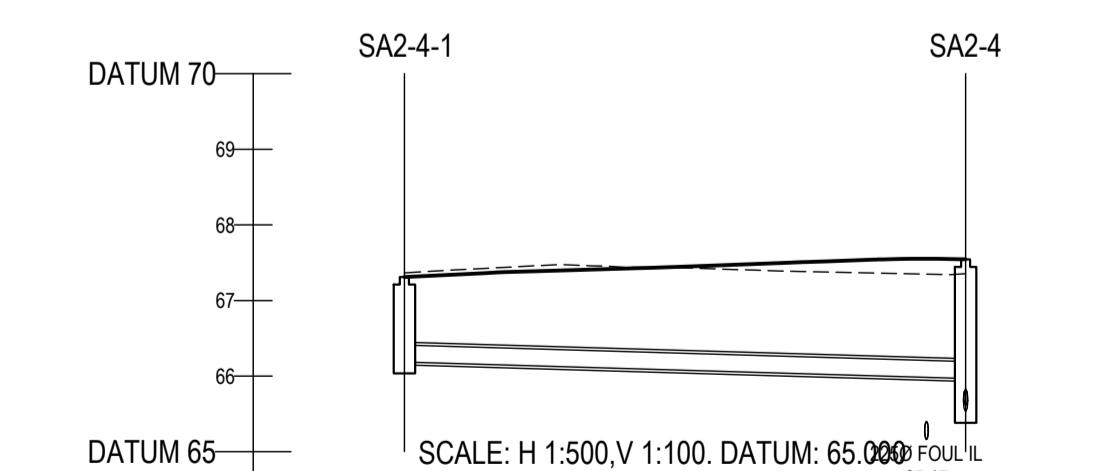
SCALE: H 1:500, V 1:100. DATUM: 60.000

COVER LEVEL	67.366	67.745	67.902	68.548	68.015	65.798	65.800	67.388	67.783	67.788	67.551	65.822
INVERT LEVEL	65.332	66.227	66.002	65.670	65.505	65.333	65.295	65.207	65.152	64.978	64.338	64.950
DEPTH (m)	1.724	1.118	1.901	2.878	2.890	777	2.161	2.751	2.790	2.790	2.613	0.920
DISTANCE (m)	17.85	38.32	56.41	12.52	7.31	38.33	2.61	11.83	16.80	19.59	8.89	
PIPE SLOPE	1:170	1:170	1:170	1:325	1:325	1:325	1:263	1:495	1:495	1:495	1:495	
PIPE SIZE	225mm	225mm	225mm	225mm	375mm	1250mm	375mm	375mm	525mm	525mm	525mm	



SCALE: H 1:500, V 1:100. DATUM: 65.000

COVER LEVEL	67.856	67.544	67.525	67.841	67.746	67.783
INVERT LEVEL	65.321	65.605	65.581	65.275	65.228	65.182
DEPTH (m)	1.535	2.013	2.038	2.565	2.520	2.781
DISTANCE (m)	45.89	4.62	52.77	15.94	9.13	
PIPE SLOPE	1:146	1:245	1:326	1:325	1:142	
PIPE SIZE	225mm	300mm	375mm	375mm	375mm	



SCALE: H 1:500, V 1:100. DATUM: 65.000

COVER LEVEL	67.311	67.544
INVERT LEVEL	66.186	65.985
DEPTH (m)	1.125	2.013
DISTANCE (m)	37.12	
PIPE SLOPE	1:170	
PIPE SIZE	225mm	

KEY  
 - - - - - EXISTING GROUND PROFILE  
 \_\_\_\_\_ PROPOSED GROUND PROFILE

P01	01-09-22	STAGE 3 SHD PLANNING	GMC	BCM
rev	date	description	by	chkd.
client approval		A - Approved		
		B - Approved with comments		
		C - Do not use		
suitability		issue purpose		
S2 - INFORMATION		PLANNING		

**DBFL Consulting Engineers**  
 Civil, Structural & Transportation Engineering  
 www.dbfl.ie

DUBLIN OFFICE: Ormond House, Upper Ormond Quay, Dublin 7, D07 W704  
 PHONE: +353 1 450 4000

CORK OFFICE: Phoenix House, Monahan Road, Cork, T12 H1XV  
 PHONE: +353 (0)21 2054530

WATERFORD OFFICE: Suite 10 The Arkun, Maritime Gate, Canada Street, Waterford, X91 WC28  
 PHONE: +353 51 309 500

project ref.  
**ASHBOURNE SHD**

drawing title  
**LONGITUDINAL SECTIONS THROUGH SURFACE WATER SHEET 6**

client  
**ARNUB LTD. & ASPECT HOMES (ADC) LTD**

designed by  
 BCM

author  
 GMC

scale  
 H 1:500, V 1:100

sheet size  
 A1

drawing no.  
**200059-DBFL-SW-DR-C-3306**

revision  
**P01**